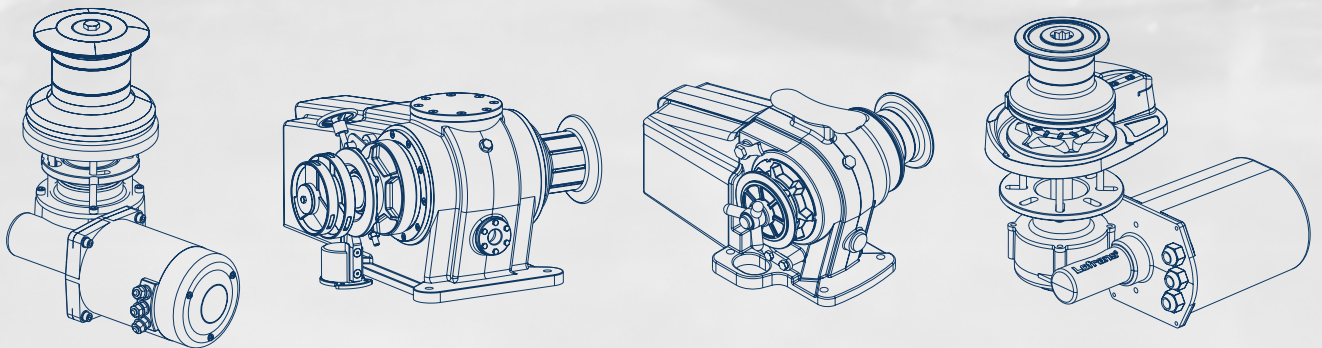


Lofrans[®]



W I N D L A S S E S

T H E O R I G I N A L W I N D L A S S



Quality, Safety & Reliability since 1966



1966

Lofrans' was founded in 1966 in Monza.

Since the beginning, it has been dedicated to designing and manufacturing high-quality windlasses and anchor management solutions that combine top performance, absolute safety and reliability.

For decades, "The Original Windlass" manufacturer offers stylish and innovative options with cutting-edge technology, while serving mega yachts' market with customised solutions upon request.

Well-reputed boat builders from all over the world have been trusting Lofrans' windlasses for their new builds.



Today

Being one of the most weather-beaten and mechanically challenged equipment on the deck, a windlass could not stand anything else than premium raw materials. Lofrans' utilises materials, able to resist corrosive effects that are common in the sea environment, such as AISI 316L stainless steel. Marine grade metals and electric motors designed to deliver high torque in all conditions, are used in order to offer the best possible efficiency.

With the latest CATIA CAD software, our engineers are constantly developing ideas and innovative solutions with regards to product evolution. The integration of these designs to our CAM system ensures that the switch from a conceptual idea to the actual produced component is achieved in a flawless manner.





Most of our components are produced by hot pressing, a technology which guarantees minimal porosity in the metal and superior mechanical features. The most exposed components are then chemically treated in order to slow down and minimise the process of marine corrosion.

During the production process in our factory, we carry out several dimensional tests on components and final products by use of our 3D coordinate measuring machine, as well as marine corrosion tests in a special marine environment chamber, which simulates the harshest of marine environments.

Our products meet the requirements of the most important classification societies such as RINA, BV, DNV and several others.

Additionally, we have been paying a lot of attention to the verticalisation of our production in order to make sure that we will keep our quality to the highest level.

Major investments have also been made to support our back office, such as the set-up of SAP & ERP software, the installation of a WMS (Warehouse Management System) integrated with hand held scanner order picking, additional Product Quality Assurance systems and distributor order automation via an in-house B2B ordering tool. Online spare parts ordering with very simple steps has been also set.

We have also established a ticketing system that brings together our customers & our technical department, facilitating communication in a prompt and direct way.

An integral part of Lofrans' is the worldwide network of official distributors in key markets of the industry, that guarantee the sales and service of the "original windlass".

Quality, Safety & Reliability since 1966

T H E O R I G I N A L W I N D L A S S

CONTENTS

06



X1

X1 Dark Version

10



X2

X2 Dark Version

14



X3

16



X4

18



SX1

20



SX2

22



SX3

24



SX3,5

26



SX4

28



SX5

30



SX7

32



ERCOLE VERTICAL

34



ROYAL

36



LION 1000

38



DORADO

40



RAZZA

42



GECKO

44



CAYMAN

46





KOBRA




48



Rope Kit

TIGRES

 VERTICAL WINDLASSES
 HORIZONTAL WINDLASSES
 DECK HARDWARE & ACCESSORIES

 MULTIFUNCTIONAL WINCHES
 CAPSTANS
 MEGA YACHT SOLUTIONS

50



FALKON

NEW
2000W

64



T1000 - T1500 -
T1700

76



ELECTRIC & ELECTRONIC ACCESSORIES

52



TITAN

66



T2000 - T2500

82



MAINTENANCE KITS

54



ERCOLE HORIZONTAL

68



ST1000 - ST1500 -
ST1700

84



GYPSIES

56



SUPER ERCOLE

70



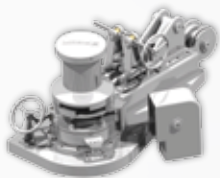
ST2000 - ST2500

86



CHAIN STOPPERS
& ROLLERS

58



ZEUS

72



ST3000 - ST4000

88



CHAIN PIPES

60



DRUM WINCH

NEW

74



CETO

88



ROPES

62



T500 - T700

75



TENDER WINCH

89



WINCH HANDLES

NEW

CHOOSE YOUR WINDLASS

ELECTRIC OR HYDRAULIC?

Electric direct current (DC) motorisation is the most popular one, while its maintenance is very limited. This kind of motor is used for vessels up to 90 feet of length.

Electric alternate current (AC) motorisation is suitable for boats from 90 up to 120 feet of length which have generators on board. AC motors offer sufficient torque; they have simple installation and require limited maintenance.

Hydraulic motorisation provides the advantage of supplying constant torque while the load changes. These motors are very popular on boats of over 120 feet length, and require specific installation.

MAXIMUM PULL & WORKING LOAD

Maximum pull is the maximum pull that the windlass is able to supply instantly (for a few seconds). Working load simulates the operating conditions. The ampere drawing and the speed data indicated in the catalogue refer to this load.

PROPER WINDLASS SELECTION

The steps to select a vertical or horizontal windlass are:

- 1 Check the windlass model - boat length chart, and choose the proper model accordingly.
- 2 Calculate the ground tackle by adding up the anchor weight, the total chain weight and the rope weight on board.
- 3 Find the suitable model in the catalogue, check the table, and make sure that the ground tackle does not exceed its working load with a tolerance + 10%.

VERTICAL WINDLASSES

| | | Boat Length | | | | | | | | | | | | | | | |
|--------------------|---------|-------------|----|----|----|----|----|----|----|----|----|----|----|----|----|----|----|
| Model Motor Size | | 20 | 25 | 30 | 35 | 40 | 45 | 50 | 55 | 60 | 65 | 70 | 75 | 80 | 85 | 90 | ft |
| X1 | 500W | ■ | ■ | ■ | ■ | ■ | | | | | | | | | | | |
| | 800W | | ■ | ■ | ■ | ■ | ■ | | | | | | | | | | |
| | 1000W | | | ■ | ■ | ■ | ■ | ■ | ■ | | | | | | | | |
| X2 | 800W | | | ■ | ■ | ■ | ■ | ■ | ■ | ■ | | | | | | | |
| | 1000W | | | | ■ | ■ | ■ | ■ | ■ | ■ | ■ | | | | | | |
| | 1500W | | | | | ■ | ■ | ■ | ■ | ■ | ■ | ■ | | | | | |
| X3 | 1500W | | | | | | ■ | ■ | ■ | ■ | ■ | ■ | ■ | | | | |
| | 1700W | | | | | | | ■ | ■ | ■ | ■ | ■ | ■ | ■ | | | |
| | 2300W | | | | | | | | ■ | ■ | ■ | ■ | ■ | ■ | ■ | | |
| X4 | 2700W | | | | | | | | | ■ | ■ | ■ | ■ | ■ | ■ | ■ | |
| | HYD 8cc | | | | | | | | | | ■ | ■ | ■ | ■ | ■ | ■ | ■ |
| | | | | | | | | | | | | | | | | | |
| | | 6 | 9 | 12 | 15 | 18 | 21 | 24 | 27 | m | | | | | | | |

| | | Boat Length | | | | | | | | | | | | | | | | | | | |
|--------------------|----------|-------------|----|----|----|----|----|----|----|----|----|----|----|----|----|----|----|-----|-----|-----|----|
| Model Motor Size | | 20 | 25 | 30 | 35 | 40 | 45 | 50 | 55 | 60 | 65 | 70 | 75 | 80 | 85 | 90 | 95 | 100 | 110 | 120 | ft |
| SX1 | 500W | ■ | ■ | ■ | ■ | ■ | | | | | | | | | | | | | | | |
| | 800W | | ■ | ■ | ■ | ■ | ■ | | | | | | | | | | | | | | |
| SX2 | 1000W | | | ■ | ■ | ■ | ■ | ■ | | | | | | | | | | | | | |
| | 1500W | | | | ■ | ■ | ■ | ■ | ■ | ■ | | | | | | | | | | | |
| SX3 | 1500W | | | | | ■ | ■ | ■ | ■ | ■ | ■ | | | | | | | | | | |
| | 1700W | | | | | | ■ | ■ | ■ | ■ | ■ | ■ | | | | | | | | | |
| SX3.5 | 2300W | | | | | | | ■ | ■ | ■ | ■ | ■ | ■ | | | | | | | | |
| | 2700W | | | | | | | | ■ | ■ | ■ | ■ | ■ | ■ | | | | | | | |
| | HYD 8cc | | | | | | | | | ■ | ■ | ■ | ■ | ■ | ■ | | | | | | |
| SX4 | 2300W | | | | | | | | | | ■ | ■ | ■ | ■ | ■ | ■ | | | | | |
| | 2700W | | | | | | | | | | | ■ | ■ | ■ | ■ | ■ | ■ | | | | |
| | HYD 8cc | | | | | | | | | | | | ■ | ■ | ■ | ■ | ■ | ■ | | | |
| SX5 | 3000W | | | | | | | | | | | | | | | ■ | ■ | ■ | ■ | ■ | |
| | HYD 8cc | | | | | | | | | | | | | | | | ■ | ■ | ■ | ■ | ■ |
| SX7 | DC 3500W | | | | | | | | | | | | | | | | | | | | |
| | AC 4000W | | | | | | | | | | | | | | | | | | | | |
| | HYD 8cc | | | | | | | | | | | | | | | | | | | | |
| | | 6 | 9 | 12 | 15 | 18 | 21 | 24 | 27 | 30 | m | | | | | | | | | | |

| | | Boat Length | | | | | | | | | | | | | | | | |
|--------------------|----------|-------------|----|----|-----|-----|-----|-----|-----|-----|-----|-----|-----|-----|-----|-----|-----|----|
| Model Motor Size | | 85 | 90 | 95 | 100 | 105 | 110 | 115 | 120 | 125 | 130 | 135 | 140 | 145 | 150 | 155 | 160 | ft |
| ERCOLE VERTICAL | DC 3500W | | ■ | ■ | ■ | ■ | ■ | ■ | ■ | ■ | ■ | ■ | ■ | ■ | ■ | ■ | ■ | ■ |
| | AC 4000W | | | ■ | ■ | ■ | ■ | ■ | ■ | ■ | ■ | ■ | ■ | ■ | ■ | ■ | ■ | ■ |
| | AC 5500W | | | | ■ | ■ | ■ | ■ | ■ | ■ | ■ | ■ | ■ | ■ | ■ | ■ | ■ | ■ |
| | AC 7500W | | | | | ■ | ■ | ■ | ■ | ■ | ■ | ■ | ■ | ■ | ■ | ■ | ■ | ■ |
| | HYD 11cc | | | | | | ■ | ■ | ■ | ■ | ■ | ■ | ■ | ■ | ■ | ■ | ■ | ■ |
| | | | 24 | 27 | 30 | 34 | 37 | 40 | 43 | 45 | m | | | | | | | |

Conditions of Usage: ■ Heavy ■ Light

HORIZONTAL WINDLASSES

Boat Length

| Model Motor Size | 20 | 25 | 30 | 35 | 40 | 45 | 50 | 55 | 60 | 65 | 70 | 75 | 80 | 85 | 90 | 95 | 100 | 105 | 110 | 115 | 120 | 125 | 130 | 135 | 140 | 145 | 150 | ft | |
|--------------------|----------|----|----|----|----|----|----|----|----|----|----|----|----|----|----|----|-----|-----|-----|-----|-----|-----|-----|-----|-----|-----|-----|----|--|
| ROYAL | MANUAL | | | | | | | | | | | | | | | | | | | | | | | | | | | | |
| LION 1000 | 700W | | | | | | | | | | | | | | | | | | | | | | | | | | | | |
| DORADO | 500W | | | | | | | | | | | | | | | | | | | | | | | | | | | | |
| | 800W | | | | | | | | | | | | | | | | | | | | | | | | | | | | |
| RAZZA | 500W | | | | | | | | | | | | | | | | | | | | | | | | | | | | |
| | 800W | | | | | | | | | | | | | | | | | | | | | | | | | | | | |
| GECKO | 600W | | | | | | | | | | | | | | | | | | | | | | | | | | | | |
| | 900W | | | | | | | | | | | | | | | | | | | | | | | | | | | | |
| CAYMAN | 700W | | | | | | | | | | | | | | | | | | | | | | | | | | | | |
| | 1000W | | | | | | | | | | | | | | | | | | | | | | | | | | | | |
| KOBRA | 1000W | | | | | | | | | | | | | | | | | | | | | | | | | | | | |
| TIGRES | 1500W | | | | | | | | | | | | | | | | | | | | | | | | | | | | |
| FALKON | 1700W | | | | | | | | | | | | | | | | | | | | | | | | | | | | |
| | 2000W | | | | | | | | | | | | | | | | | | | | | | | | | | | | |
| TITAN | DC 2300W | | | | | | | | | | | | | | | | | | | | | | | | | | | | |
| | AC 3600W | | | | | | | | | | | | | | | | | | | | | | | | | | | | |
| | HYD 9cc | | | | | | | | | | | | | | | | | | | | | | | | | | | | |
| ERCOLE HORIZONTAL | DC 3500W | | | | | | | | | | | | | | | | | | | | | | | | | | | | |
| | AC 5500W | | | | | | | | | | | | | | | | | | | | | | | | | | | | |
| | HYD 11cc | | | | | | | | | | | | | | | | | | | | | | | | | | | | |
| SUPER ERCOLE | DC 3500W | | | | | | | | | | | | | | | | | | | | | | | | | | | | |
| | AC 5500W | | | | | | | | | | | | | | | | | | | | | | | | | | | | |
| | HYD 11cc | | | | | | | | | | | | | | | | | | | | | | | | | | | | |
| | | 6 | 9 | 12 | 15 | 18 | 21 | 24 | 27 | 30 | 34 | 37 | 40 | 43 | 45 | m | | | | | | | | | | | | | |

Conditions of Usage: Heavy Light

CAPSTANS

Boat Length

| Model Motor Size | 20 | 25 | 30 | 35 | 40 | 45 | 50 | 55 | 60 | 65 | 70 | 75 | 80 | 85 | 90 | 95 | 100 | 105 | 110 | 115 | 120 | 125 | 130 | 135 | 140 | 145 | 150 | ft | |
|--------------------|----------|----|----|----|----|----|----|----|----|----|----|----|----|----|----|----|-----|-----|-----|-----|-----|-----|-----|-----|-----|-----|-----|----|--|
| T500 | 500W | | | | | | | | | | | | | | | | | | | | | | | | | | | | |
| T700 / ST700 | 700W | | | | | | | | | | | | | | | | | | | | | | | | | | | | |
| T1000 / ST1000 | 1000W | | | | | | | | | | | | | | | | | | | | | | | | | | | | |
| T1500 / ST1500 | 1500W | | | | | | | | | | | | | | | | | | | | | | | | | | | | |
| T1700 / ST1700 | 1700W | | | | | | | | | | | | | | | | | | | | | | | | | | | | |
| T2000 / ST2000 | AC 2200W | | | | | | | | | | | | | | | | | | | | | | | | | | | | |
| | DC 2300W | | | | | | | | | | | | | | | | | | | | | | | | | | | | |
| | HYD 9cc | | | | | | | | | | | | | | | | | | | | | | | | | | | | |
| T2500 / ST2500 | AC 2200W | | | | | | | | | | | | | | | | | | | | | | | | | | | | |
| | DC 2700W | | | | | | | | | | | | | | | | | | | | | | | | | | | | |
| | HYD 9cc | | | | | | | | | | | | | | | | | | | | | | | | | | | | |
| ST3000 | AC 2200W | | | | | | | | | | | | | | | | | | | | | | | | | | | | |
| | DC 3000W | | | | | | | | | | | | | | | | | | | | | | | | | | | | |
| | AC 3600W | | | | | | | | | | | | | | | | | | | | | | | | | | | | |
| | HYD 9cc | | | | | | | | | | | | | | | | | | | | | | | | | | | | |
| ST4000 | DC 3500W | | | | | | | | | | | | | | | | | | | | | | | | | | | | |
| | AC 4000W | | | | | | | | | | | | | | | | | | | | | | | | | | | | |
| | AC 5000W | | | | | | | | | | | | | | | | | | | | | | | | | | | | |
| | HYD 11cc | | | | | | | | | | | | | | | | | | | | | | | | | | | | |
| | | 6 | 9 | 12 | 15 | 18 | 21 | 24 | 27 | 30 | 34 | 37 | 40 | 43 | 45 | m | | | | | | | | | | | | | |

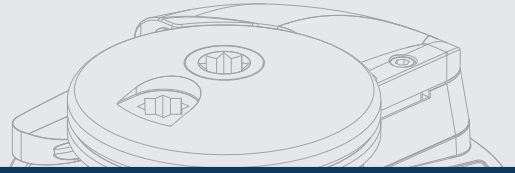
Conditions of Usage: Heavy Light

MEGA YACHT SOLUTIONS

Boat Length

| Model Motor Size | 150 | 165 | 180 | 195 | 210 | 225 | 240 | 260 | 280 | 295 | 310 | 330 | 345 | 360 | 390 | 425 | ft |
|--------------------|-----|-----|-----|-----|-----|-----|-----|-----|-----|-----|-----|-----|-----|-----|-----|-----|----|
| ZEUS 5500 | | | | | | | | | | | | | | | | | |
| ZEUS 7500 | | | | | | | | | | | | | | | | | |
| ZEUS 9500 | | | | | | | | | | | | | | | | | |
| ZEUS 12000 | | | | | | | | | | | | | | | | | |
| | 45 | 50 | 55 | 60 | 65 | 70 | 75 | 80 | 85 | 90 | 95 | 100 | 105 | 110 | 120 | 130 | m |

Conditions of Usage: Heavy



X1

Vertical Windlass

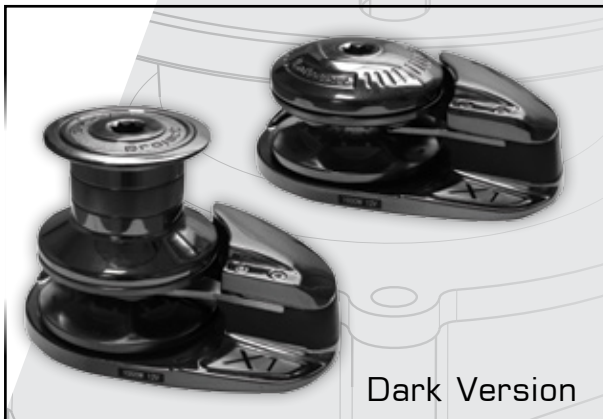
500 W / 800 W / 1000 W



Low Profile



With Drum



Dark Version

Main Features

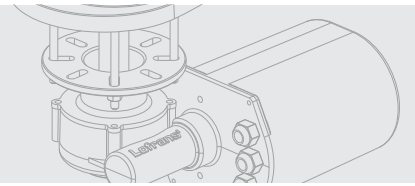
- Marine anodised aluminium & chrome plated construction
- With drum or low profile
- Independent gypsy and drum operation
- Rope and chain combination gypsy
- Manual chain release
- Chain & rope management by the spring loaded arm
- Chain counter magnet pre-installed as standard
- IP67 motor cover
- Marine anodised aluminium gearbox

Standard Equipment



- Dual direction solenoid pack
- Handle
- Gypsy for chain & rope
- QR code card for Instruction Manual

X1 Vertical Windlass



500 W / 800 W / 1000 W



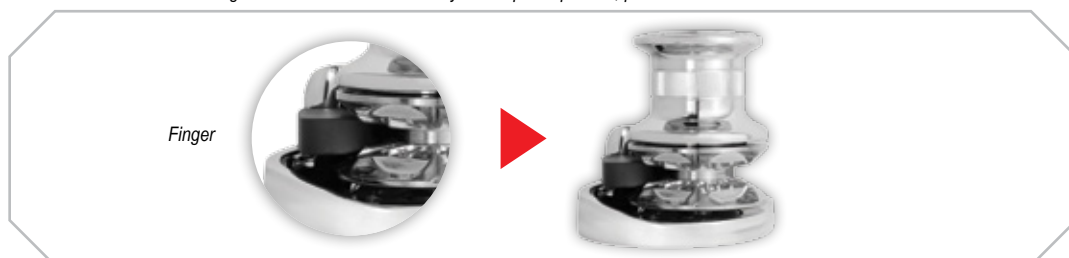
| Construction | | | Anodised Aluminium | | |
|------------------------------------|--|--|--------------------|-------|--------|
| Motor Size | | | 500 W | 800 W | 1000 W |
| Power Supply (V) | | | 12 | 12 | 12 |
| Maximum Pull (kg) | | | 630 | 700 | 900 |
| Working Load (kg) | | | 95 | 100 | 125 |
| Amps at Working Load (A) | | | 60 | 110 | 125 |
| Line Speed at Working Load (m/min) | | | 23 | 25 | 18 |
| Max. Line Speed (m/min) | | | 26 | 28 | 30 |
| Net Weight Low Profile (kg) | | | 10 | 13 | 16 |
| Net Weight with Drum (kg) | | | 11 | 14 | 17 |

| X1 |  |  | Code | Code | Code |
|-------------|---|---|--------|--------|------|
| With Drum | 6 mm, ISO 4565 / DIN 766 | 10-12 mm, 3-strand | 409558 | 602108 | * |
| | 8 mm, ISO 4565 / DIN 766 | 12 mm, 3-strand | 600980 | 602109 | * |
| Low Profile | 6 mm, ISO 4565 / DIN 766 | 10-12 mm, 3-strand | 409557 | 602106 | * |
| | 8 mm, ISO 4565 / DIN 766 | 12 mm, 3-strand | 57449 | 602107 | * |

| Construction | | | Chrome Plated | | |
|------------------------------------|--|--|---------------|-------|--------|
| Motor Size | | | 500 W | 800 W | 1000 W |
| Power Supply (V) | | | 12 | 12 | 12 |
| Maximum Pull (kg) | | | 630 | 700 | 900 |
| Working Load (kg) | | | 95 | 100 | 125 |
| Amps at Working Load (A) | | | 60 | 110 | 125 |
| Line Speed at Working Load (m/min) | | | 23 | 25 | 18 |
| Max. Line Speed (m/min) | | | 26 | 28 | 30 |
| Net Weight Low Profile (kg) | | | 11 | 13 | 16 |
| Net Weight with Drum (kg) | | | 12 | 14 | 17 |

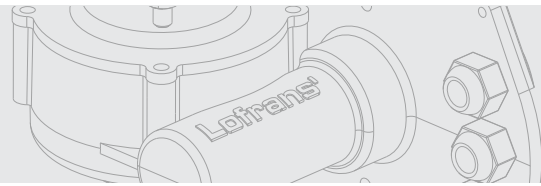
| X1 |  |  | Code | Code | Code |
|-------------|---|---|--------|--------|--------|
| With Drum | 6 mm, ISO 4565 / DIN 766 | 10-12 mm, 3-strand | 472881 | 473207 | * |
| | 8 mm, ISO 4565 / DIN 766 | 12 mm, 3-strand | 187270 | 473003 | 600092 |
| Low Profile | 6 mm, ISO 4565 / DIN 766 | 10-12 mm, 3-strand | 472880 | 473217 | * |
| | 8 mm, ISO 4565 / DIN 766 | 12 mm, 3-strand | 187269 | 473002 | 600093 |

For additional options on compatible gypsies, please refer to page 9.
 If you are interested in an alternative configuration not listed above or any other special product, please contact our team. Product codes with * are available upon request.



X1 Vertical Windlass

Dark Version





With Drum



Low Profile

Dark Version

| Motor Size | 500 W | 800 W | 1000 W |
|------------------------------------|-------|-------|--------|
| Power Supply (V) | 12 | 12 | 12 |
| Maximum Pull (kg) | 630 | 700 | 900 |
| Working Load (kg) | 95 | 100 | 125 |
| Amps at Working Load (A) | 60 | 110 | 125 |
| Line Speed at Working Load (m/min) | 23 | 25 | 18 |
| Max. Line Speed (m/min) | 26 | 28 | 30 |
| Net Weight Low Profile (kg) | 10 | 13 | 16 |
| Net Weight with Drum (kg) | 11 | 14 | 17 |

| X1 |  |  | Code | Code | Code |
|-------------|---|---|--------|--------|--------|
| With Drum | 8 mm, ISO 4565 / DIN 766 | 12 mm, 3-strand | * | 636702 | * |
| Low Profile | 6 mm, ISO 4565 / DIN 766 | 10-12 mm, 3-strand | 636206 | 636433 | * |
| | 8 mm, ISO 4565 / DIN 766 | 12 mm, 3-strand | 636700 | 636432 | 636701 |

For additional options on compatible gypsies, please refer to the next page.

If you are interested in an alternative configuration not listed above or any other special product, please contact our team. Product codes with * are available upon request.

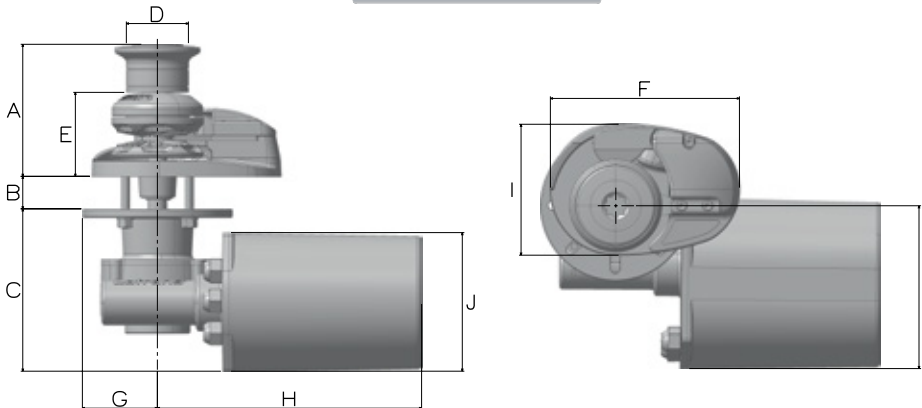


X1 Vertical Windlass

500 W / 800 W / 1000 W



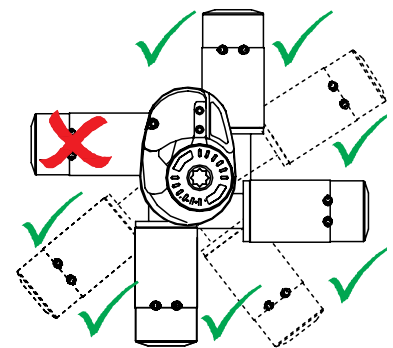
Dimensions (mm)



| Model | A | B | C | D | E* | F | G | H | I | J | L |
|--------|-----|-------|-----|-----|----|-----|----|-----|-----|-----|-----|
| 500 W | 130 | 10-30 | 111 | Ø60 | 84 | 183 | 55 | 236 | 127 | 105 | 132 |
| 800 W | 130 | 10-30 | 111 | Ø60 | 84 | 183 | 55 | 236 | 127 | 105 | 132 |
| 1000 W | 130 | 10-30 | 150 | Ø60 | 84 | 183 | 55 | 256 | 127 | 134 | 165 |

*Low Profile height dimensions.

Installation positions



Combine with

Compatible Chains



| Code | Chain Size | Pack (m) |
|-------|--------------------------|----------|
| 72749 | 6 mm, ISO 4565 / DIN 766 | 30 |
| 72751 | 8 mm, ISO 4565 / DIN 766 | 30 |

More available packs (see pages 87)

Compatible Gypsies



| Code | Gypsy Size |
|--------|---------------------------|
| 630970 | 6 mm, ISO 4565 / DIN 766 |
| 630980 | 7 mm, ISO 4565 - 1/4" G40 |
| 630999 | 8 mm, ISO 4565 / DIN 766 |

Optional Accessories

- Foot Switch
- Control Switch
- Circuit Breaker
- Chain Counter
- Hand Held Control
- Radio Control



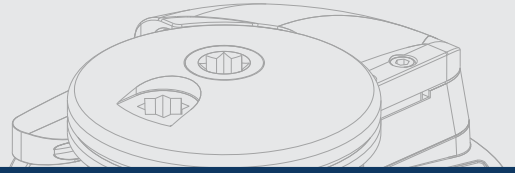
KEEP YOUR LOFRANS' AS GOOD AS NEW!



Maintenance Kit for X1

Code I 72037

Please refer to Deck Hardware & Accessories section for control and installation products (pages 76-89).



X2

Vertical Windlass

800 W / 1000 W / 1500 W



With Drum

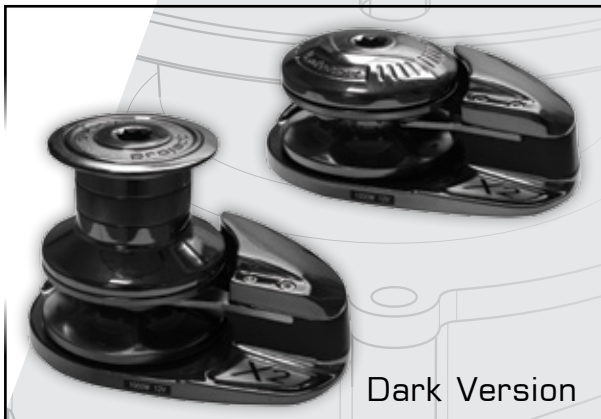


Low Profile



Main Features

- Marine anodised aluminium & chrome plated construction
- Special watertight stainless steel ball bearing in the base
- With drum or low profile
- Independent gypsy and drum operation
- Rope and chain combination gypsy
- Manual chain release
- Manual override available for chrome plated models and dark version only (800 W chrome variant does not have the manual override function)
- Chain & rope management by the spring loaded arm
- Chain counter magnet pre-installed as standard
- IP67 motor cover
- Marine anodised aluminium gearbox



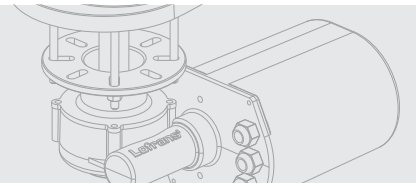
Dark Version

Standard Equipment



- Dual direction solenoid pack
- Handle
- Gypsy for chain & rope
- QR code card for Instruction Manual

X2 Vertical Windlass



800 W / 1000 W / 1500 W



| Construction | Anodised Aluminium | | | | |
|------------------------------------|--------------------|--------|------|--------|------|
| | 800 W | 1000 W | | 1500 W | |
| Motor Size | | | | | |
| Power Supply (V) | 12 | 12 | 24 | 12 | 24 |
| Maximum Pull (kg) | 850 | 1000 | 1060 | 1200 | 1270 |
| Working Load (kg) | 115 | 150 | 160 | 165 | 175 |
| Amps at Working Load (A) | 110 | 117 | 59 | 130 | 65 |
| Line Speed at Working Load (m/min) | 30 | 20 | 23 | 17 | 19 |
| Max. Line Speed (m/min) | 35 | 40 | 40 | 40 | 40 |
| Net Weight Low Profile (kg) | 18 | 19 | 23 | 24 | 24 |
| Net Weight with Drum (kg) | 19 | 20 | 24 | 25 | 25 |

| X2 |  |  | Code | Code | Code | Code | Code |
|-------------|---|---|--------|--------|--------|--------|--------|
| With Drum | 6 mm, ISO 4565 / DIN 766 | - | 600044 | 600049 | 601062 | * | * |
| | 8 mm, ISO 4565 / DIN 766 | 14 mm, 3-strand | 472735 | 472751 | 472750 | 600057 | 600061 |
| | 10 mm, DIN 766 | - | * | 601052 | 601064 | 601057 | 601068 |
| | 10 mm, ISO 4565 | - | * | 600053 | 601063 | 600056 | 600060 |
| Low Profile | 6 mm, ISO 4565 / DIN 766 | - | 600045 | 600050 | 601058 | * | * |
| | 8 mm, ISO 4565 / DIN 766 | 14 mm, 3-strand | 472558 | 472557 | 601059 | 601053 | 601065 |
| | 10 mm, DIN 766 | - | * | 601049 | 601061 | 601055 | 601067 |
| | 10 mm, ISO 4565 | - | * | 57450 | 601060 | 601054 | 601066 |

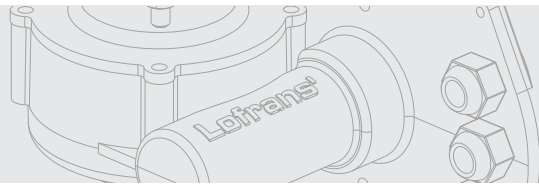
| Construction | Chrome Plated | | | | |
|------------------------------------|---------------|--------|------|--------|------|
| | 800 W | 1000 W | | 1500 W | |
| Motor Size | | | | | |
| Power Supply (V) | 12 | 12 | 24 | 12 | 24 |
| Maximum Pull (kg) | 850 | 1000 | 1060 | 1200 | 1270 |
| Working Load (kg) | 115 | 150 | 160 | 165 | 175 |
| Amps at Working Load (A) | 110 | 117 | 59 | 130 | 65 |
| Line Speed at Working Load (m/min) | 30 | 20 | 23 | 17 | 19 |
| Max. Line Speed (m/min) | 35 | 40 | 40 | 40 | 40 |
| Net Weight Low Profile (kg) | 21 | 23 | 23 | 24 | 24 |
| Net Weight with Drum (kg) | 23 | 24 | 24 | 25 | 25 |

| X2 |  |  | Code | Code | Code | Code | Code |
|-------------|---|---|--------|--------|--------|--------|--------|
| With Drum | 6 mm, ISO 4565 / DIN 766 | - | 600046 | 600997 | 601034 | * | * |
| | 8 mm, ISO 4565 / DIN 766 | 14 mm, 3-strand | 472862 | 473212 | 473255 | 602110 | 601042 |
| | 10 mm, DIN 766 | - | * | 602096 | 473227 | 187274 | 187276 |
| | 10 mm, ISO 4565 | - | * | 472863 | 601011 | 601013 | 601044 |
| Low Profile | 6 mm, ISO 4565 / DIN 766 | - | 600047 | 600989 | 601028 | * | * |
| | 8 mm, ISO 4565 / DIN 766 | 14 mm, 3-strand | 472861 | 473213 | 600054 | 601006 | 601039 |
| | 10 mm, DIN 766 | - | * | 602097 | 473226 | 187273 | 601041 |
| | 10 mm, ISO 4565 | - | * | 472864 | 478642 | 601008 | 602529 |

For additional options on compatible gypsies, please refer to page 13.
If you are interested in an alternative configuration not listed above or any other special product, please contact our team. Product codes with * are available upon request.

X2 Vertical Windlass

Dark Version



With Drum



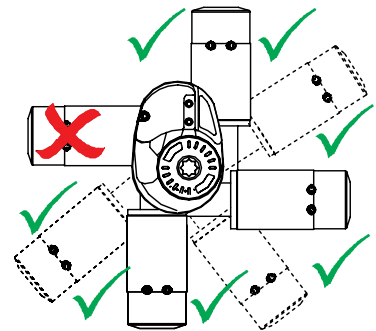
Low Profile



Dark Version

| | |
|------------------------------------|---------------|
| Motor Size | 1000 W |
| Power Supply (V) | 12 |
| Maximum Pull (kg) | 1000 |
| Working Load (kg) | 150 |
| Amps at Working Load (A) | 117 |
| Line Speed at Working Load (m/min) | 20 |
| Max. Line Speed (m/min) | 40 |
| Net Weight Low Profile (kg) | 19 |
| Net Weight with Drum (kg) | 20 |



Installation positions

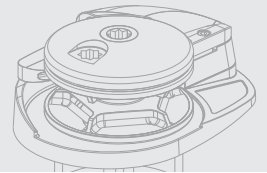


| X2 |  |  | Code |
|-------------|---|---|---------------|
| With Drum | 8 mm, ISO 4565 / DIN 766 | 14 mm, 3-strand | 636704 |
| | 10 mm, DIN 766 | - | 636708 |
| | 10 mm, ISO 4565 | - | 636706 |
| Low Profile | 8 mm, ISO 4565 / DIN 766 | 14 mm, 3-strand | 636703 |
| | 10 mm, DIN 766 | - | 636707 |
| | 10 mm, ISO 4565 | - | 636705 |

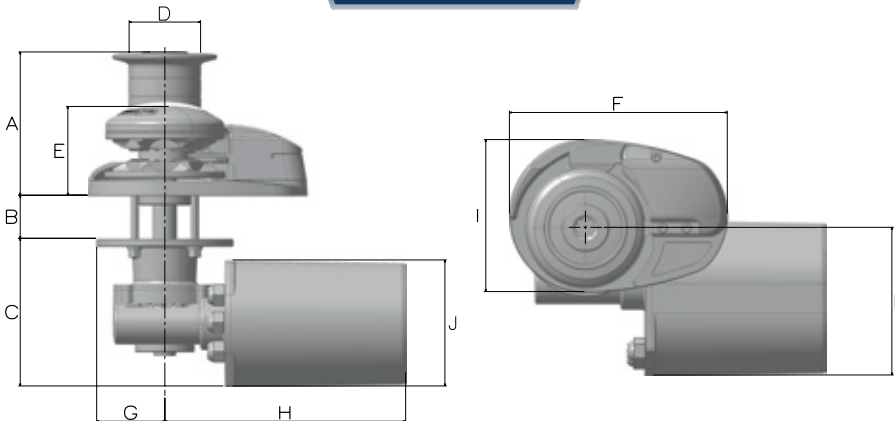
*For additional options on compatible gypsies, please refer to the next page.
If you are interested in an alternative configuration not listed above or any other special product, please contact our team.*

X2 Vertical Windlass

800 W / 1000 W / 1500 W



Dimensions (mm)



| Model | A | B | C | D | E* | F | G | H | I | J | L |
|--------|-----|-------|-----|-----|----|-----|----|-----|-----|------|-----|
| 800 W | 153 | 25-40 | 155 | Ø76 | 94 | 232 | 62 | 244 | 162 | Ø94 | 138 |
| 1000 W | 153 | 25-40 | 155 | Ø76 | 94 | 232 | 62 | 244 | 162 | Ø114 | 138 |
| 1500 W | 153 | 25-40 | 155 | Ø76 | 94 | 232 | 62 | 244 | 162 | Ø134 | 138 |

*Low Profile height dimensions.



Combine with

Compatible Gypsies



| Code | Gypsy Size |
|--------|--------------------------|
| 630953 | 6 mm, ISO 4565 / DIN 766 |
| 630949 | 8 mm, ISO 4565 / DIN 766 |
| 630951 | 10mm, ISO 4565 |
| 630955 | 10mm, DIN 766 |

Chain Stopper



Lofrans' Chain Stopper, Stainless Steel, for ISO/DIN Chain 8/10/12mm

Code I 636257

Optional Accessories

- Foot Switch
- Control Switch
- Circuit Breaker
- Chain Counter
- Hand Held Control
- Radio Control



KEEP YOUR LOFRANS' AS GOOD AS NEW!



Maintenance Kit for X2

Code I 72038



Maintenance Kit for X2 ALU

Code I 72039

Please refer to Deck Hardware & Accessories section for control and installation products (pages 76-89).

X3

Vertical Windlass

1500 W / 1700 W



With Drum

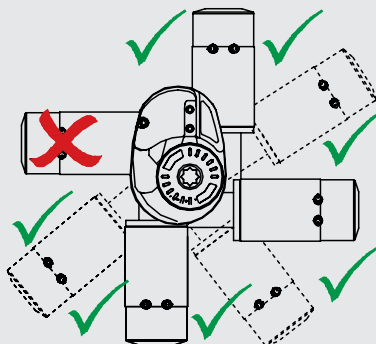


Low Profile

Main Features

- Marine anodised aluminium & chrome plated construction
- With drum or low profile
- Independent gypsy and drum operation
- Rope and chain combination gypsy
- Manual chain release
- Manual override available for chrome plated models only
- Chain & rope management by the spring loaded arm
- Chain counter magnet pre-installed as standard
- IP67 motor cover (up to 1500 W)
- Marine anodised aluminium gearbox

Installation positions

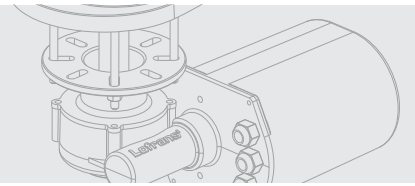


Standard Equipment

- Dual direction solenoid pack
- Handle
- Gypsy for chain & rope
- QR code card for Instruction Manual

X3 Vertical Windlass

1500 W / 1700 W



| Construction | Anodised Aluminium | | | |
|------------------------------------|--------------------|------|--------|------|
| | 1500 W | | 1700 W | |
| Motor Size | | | | |
| Power Supply (V) | 12 | 24 | 12 | 24 |
| Maximum Pull (kg) | 1200 | 1200 | 1600 | 1695 |
| Working Load (kg) | 165 | 165 | 200 | 200 |
| Amps at Working Load (A) | 150 | 65 | 180 | 90 |
| Line Speed at Working Load (m/min) | 17 | 17 | 14 | 15 |
| Max. Line Speed (m/min) | 40 | 35 | 32 | 32 |
| Net Weight Low Profile (kg) | 32 | 32 | 32 | 35 |
| Net Weight with Drum (kg) | 35 | 35 | 35 | 38 |

| X3 | | | Code | Code | Code | Code |
|-------------|---------------------------------|-----------------|--------|--------|--------|--------|
| With Drum | 8 mm, ISO 4565 / DIN 766 | 14 mm, 3-strand | 602243 | 602240 | 57451 | 601136 |
| | 10 mm, DIN 766 | 16 mm, 3-strand | 602245 | 602242 | 57452 | 601139 |
| | 10 mm, ISO 4565 | 16 mm, 3-strand | 602244 | 602241 | 601132 | 601137 |
| | 12 mm, ISO 4565 / 13mm, DIN 766 | 18 mm, 3-strand | * | * | 57453 | 601138 |
| Low Profile | 8 mm, ISO 4565 / DIN 766 | 14 mm, 3-strand | 602249 | 602246 | 601128 | 602238 |
| | 10 mm, DIN 766 | 16 mm, 3-strand | 602251 | 602248 | 601131 | 601135 |
| | 10 mm, ISO 4565 | 16 mm, 3-strand | 602250 | 602247 | 601129 | 601133 |
| | 12 mm, ISO 4565 / 13mm, DIN 766 | 18 mm, 3-strand | * | * | 602237 | 601134 |

| Construction | Chrome Plated | | | |
|------------------------------------|---------------|------|--------|------|
| | 1500 W | | 1700 W | |
| Motor Size | | | | |
| Power Supply (V) | 12 | 24 | 12 | 24 |
| Maximum Pull (kg) | 1200 | 1200 | 1600 | 1695 |
| Working Load (kg) | 165 | 165 | 200 | 200 |
| Amps at Working Load (A) | 150 | 65 | 180 | 90 |
| Line Speed at Working Load (m/min) | 17 | 17 | 14 | 15 |
| Max. Line Speed (m/min) | 40 | 35 | 32 | 32 |
| Net Weight Low Profile (kg) | 32 | 32 | 35 | 35 |
| Net Weight with Drum (kg) | 35 | 35 | 38 | 38 |

| X3 | | | Code | Code | Code | Code |
|-------------|---------------------------------|-----------------|--------|--------|--------|--------|
| With Drum | 8 mm, ISO 4565 / DIN 766 | 14 mm, 3-strand | 601079 | 601102 | 600064 | 600068 |
| | 10 mm, DIN 766 | 16 mm, 3-strand | 473228 | 473228 | 602101 | 602103 |
| | 10 mm, ISO 4565 | 16 mm, 3-strand | 472865 | 478647 | 473208 | 473252 |
| | 12 mm, ISO 4565 / 13mm, DIN 766 | 18 mm, 3-strand | 601084 | 601107 | 473004 | 473005 |
| Low Profile | 8 mm, ISO 4565 / DIN 766 | 14 mm, 3-strand | 601070 | 601095 | 600065 | 601108 |
| | 10 mm, DIN 766 | 16 mm, 3-strand | 602099 | 473218 | 602102 | 602104 |
| | 10 mm, ISO 4565 | 16 mm, 3-strand | 472866 | 601097 | 473209 | 473256 |
| | 12 mm, ISO 4565 / 13mm, DIN 766 | 18 mm, 3-strand | 601075 | 601098 | 472842 | 473006 |

For additional options on compatible gypsies, please check the relevant table.
If you are interested in an alternative configuration not listed above or any other special product, please contact our team. Product codes with * are available upon request.

Dimensions (mm)

| Model | A | B | C | D | E* | F |
|--------|-----|-------|-----|-----|-----|-----|
| 1500 W | 195 | 50-70 | 165 | Ø92 | 110 | 270 |
| 1700 W | 195 | 50-70 | 165 | Ø92 | 110 | 270 |

| Model | G | H | I | J | L |
|--------|----|-----|-----|------|-----|
| 1500 W | 80 | 270 | 192 | Ø114 | 135 |
| 1700 W | 80 | 300 | 192 | Ø126 | 135 |

*Low Profile height dimensions.

Combine with

Compatible Gypsies

| Code | Gypsy Size |
|--------|-------------------------------|
| 630957 | 8 mm, ISO 4565 / DIN 766 |
| 630966 | 10mm, DIN 766 |
| 630959 | 10mm, ISO 4565 |
| 630961 | 12mm, ISO 4565 / 13mm, DIN766 |

Optional Accessories

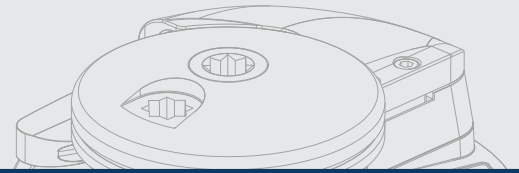
- Foot Switch
- Control Switch
- Circuit Breaker
- Chain Counter
- Hand Held Control
- Radio Control

Please refer to Deck Hardware & Accessories section for control and installation products (pages 76-89).

X4

Vertical Windlass

2300 W / 2700 W / Hydraulic - 8cc



Low Profile



With Drum

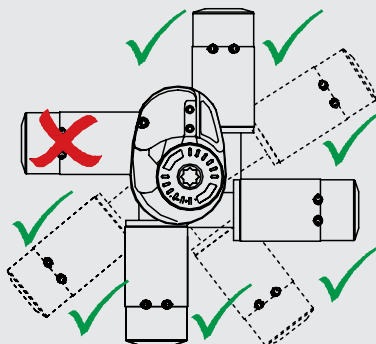
Main Features

- Chrome plated construction
- With drum or low profile
- Independent gypsy and drum operation
- Manual chain release
- Manual override
- Chain counter magnet pre-installed as standard
- Marine anodised aluminium gearbox
- Heavy duty electric motor

Standard Equipment

- Dual direction solenoid pack
- Handle
- Gypsy for chain
- QR code card for Instruction Manual

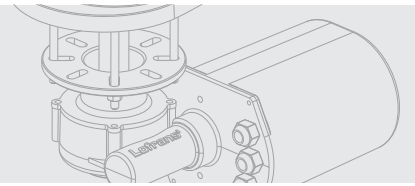
Installation positions



X4

Vertical Windlass

2300 W / 2700 W / Hydraulic - 8cc



| Construction | Chrome Plated | | |
|------------------------------------|---------------|--------|-----------------|
| | 2300 W | 2700 W | Hydraulic - 8cc |
| Motor Size | | | |
| Power Supply (V) | 24 | 24 | - |
| Maximum Pull (kg) | 2000 | 2400 | 2500 |
| Working load (kg) | 500 | 530 | 650 |
| Amps at Working Load (A) | 160 | 170 | - |
| Line Speed at Working Load (m/min) | 12 | 12 | 16 |
| Max Line Speed (m/min) | 25 | 28 | 16 |
| Net Weight Low Profile (kg) | 72 | 75 | 55 |
| Net Weight with Drum (kg) | 82 | 85 | 60 |
| Hydraulic Pressure (bar) | - | - | 200 |
| Hydraulic Flow (lt/min) | - | - | 32 |

| X4 | Type** | Code | Code | Code | |
|-------------|---------------------------------|------|--------|--------|--------|
| With Drum | 10 mm, ISO 4565 | cw | 600073 | 601167 | * |
| | 12 mm, ISO 4565 / 13mm, DIN 766 | cw | 473007 | 600075 | 602361 |
| | 14 mm | cw | 476292 | 472849 | 602362 |
| | 12 mm, ISO 4565 / 13mm, DIN 766 | ccw | 600074 | 600076 | 602363 |
| | 14 mm | ccw | 601150 | 601175 | 602364 |
| Low Profile | 12 mm, ISO 4565 / 13mm, DIN 766 | ccw | 601142 | 601159 | * |

For additional options on compatible gypsies, please check below.
If you are interested in an alternative configuration not listed above or any other special product, please contact our team.

Product codes with * are available upon request.

** cw: the windlass pulls clockwise. ccw: the windlass pulls counter clockwise

Dimensions (mm)

| Model | A | B | C | D | E* | F | G | H | I | J | K | L |
|--------|-----|--------|-----|------|-----|-----|-----|-----|-----|------|-----|-----|
| 2300 W | 285 | 60-130 | 200 | Ø125 | 150 | 380 | 140 | 480 | 220 | Ø152 | 240 | 190 |
| 2700 W | 285 | 60-130 | 200 | Ø125 | 150 | 380 | 140 | 480 | 220 | Ø152 | 240 | 190 |

* Low Profile height dimensions.
** For Hydraulic version dimensions please see page 90.

Compatible Gypsies



| Code | Gypsy Size |
|--------|-------------------------|
| 630996 | 8mm ISO4565/DIN766 |
| 631036 | 1/2" G40 |
| 631132 | 10mm DIN766 3/8" BBB |
| 636570 | 10mm ISO4565 3/8" HT |
| 636572 | 12-13mm DIN766 |
| 631033 | 1/2" BBB |
| 631059 | 14mm |

Combine with

Chain Stopper



Lofrans' Chain stopper, Stainless Steel, for normal chain 12/13/14mm

Code I 72191

Optional Accessories

- Foot Switch
- Control Switch
- Circuit Breaker
- Chain Counter
- Hand Held Control
- Radio Control

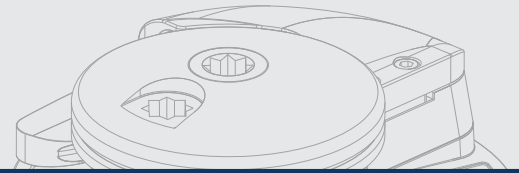


Please refer to Deck Hardware & Accessories section for control and installation products (pages 76-89).

SX1

Vertical Windlass

500 W / 800 W



Low Profile

Main Features

- Compact round base design
- Marine AISI 316L Stainless Steel construction
- Manual chain release
- Chain counter magnet pre-installed as standard
- IP67 motor cover
- Marine anodised aluminium gearbox
- Chain pipe available as an option

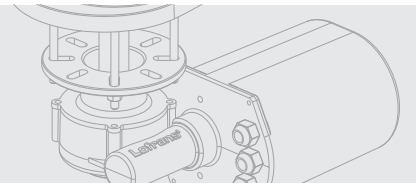
Standard Equipment

- Dual direction solenoid pack
- Handle
- Gypsy for chain
- QR code card for Instruction Manual

SX 1

Vertical Windlass

500 W / 800 W



Construction

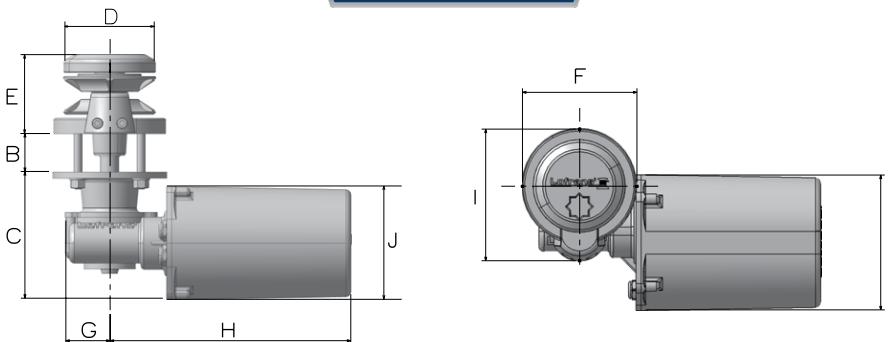
AISI 316L Stainless Steel

| Motor Size | 500 W | 800 W |
|------------------------------------|-------|-------|
| Power Supply (V) | 12 | 12 |
| Maximum Pull (kg) | 630 | 700 |
| Working Load (kg) | 95 | 100 |
| Amps at Working Load (A) | 75 | 80 |
| Line Speed at Working Load (m/min) | 23 | 25 |
| Max. Line Speed (m/min) | 26 | 28 |
| Net Weight Low Profile (kg) | 11 | 13 |

| SX1 | | Code | Code |
|-----------|--------------------------|--------|--------|
| With Drum | 6 mm, ISO 4565 / DIN 766 | 636279 | 636281 |
| | 8 mm, ISO 4565 / DIN 766 | * | 636280 |

For additional options on compatible gypsies, please check below.
If you are interested in an alternative configuration not listed above or any other special product, please contact our team.
Product codes with * are available upon request.

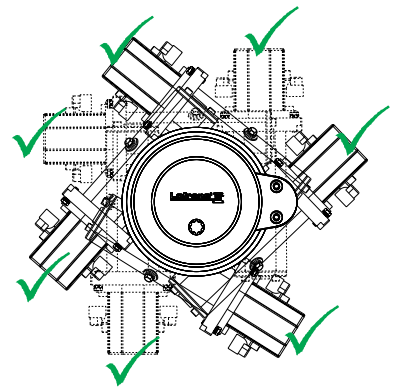
Dimensions (mm)



| Model | B | D | C | E | F | G | H | I | J | L |
|-------|-------|-----|-----|----|------|----|-----|-----|-----|-----|
| 500 W | 18-30 | Ø90 | 124 | 74 | Ø110 | 55 | 237 | 128 | 110 | 120 |
| 800 W | 18-30 | Ø90 | 124 | 74 | Ø110 | 55 | 237 | 128 | 110 | 120 |

*Low Profile height dimensions.

Installation positions



Compatible Gypsies



| Code | Gypsy Size |
|--------|---------------------------|
| 630970 | 6 mm, ISO 4565 / DIN 766 |
| 630980 | 7 mm, ISO 4565 - 1/4" G40 |
| 630999 | 8 mm, ISO 4565 / DIN 766 |

Combine with

- Foot Switch
- Control Switch
- Circuit Breaker
- Chain Counter
- Hand Held Control
- Radio Control



Optional Accessories

Please refer to Deck Hardware & Accessories section for control and installation products (pages 76-89).

SX2

Vertical Windlass

1000 W / 1500 W



With Drum



Low Profile

Main Features

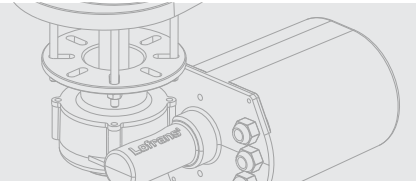
- Compact round base design
- With drum or low profile
- Marine AISI 316L Stainless Steel construction
- Independent gypsy and drum operation
- Manual chain release
- Chain counter magnet pre-installed as standard
- IP67 motor cover
- Marine anodised aluminium gearbox
- Chain pipe available as an option

Standard Equipment

- Dual direction solenoid pack
- Handle
- Gypsy for chain
- QR code card for Instruction Manual

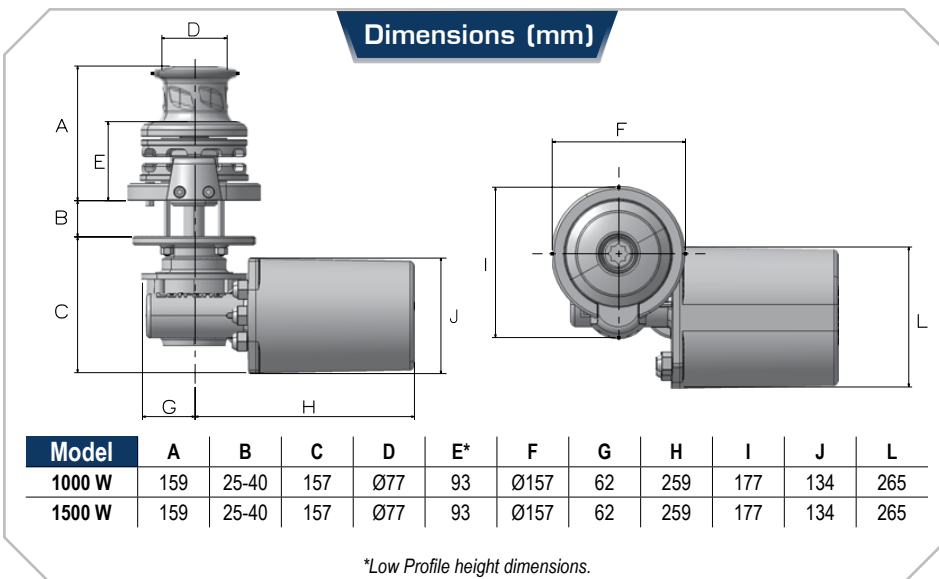
SX2 Vertical Windlass

1000 W / 1500 W

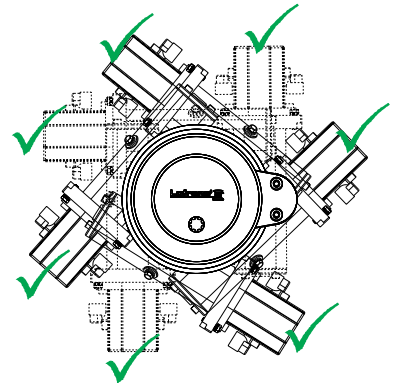


| Construction | | AISI 316L Stainless Steel | | | |
|------------------------------------|--------------------------|---------------------------|------|--------|--------|
| Motor Size | | 1000 W | | 1500 W | |
| Power Supply (V) | | 12 | 24 | 12 | 24 |
| Maximum Pull (kg) | | 1000 | 1060 | 1200 | 1270 |
| Working Load (kg) | | 150 | 160 | 165 | 175 |
| Amps at Working Load (A) | | 135 | 70 | 150 | 75 |
| Line Speed at Working Load (m/min) | | 20 | 23 | 17 | 19 |
| Max. Line Speed (m/min) | | 40 | 40 | 40 | 40 |
| Net Weight Low Profile (kg) | | 19 | 23 | 24 | 24 |
| Net Weight with Drum (kg) | | 20 | 24 | 25 | 25 |
| SX2 | | Code | Code | Code | Code |
| With Drum | 8 mm, ISO 4565 / DIN 766 | 636283 | * | * | 636285 |
| | 10 mm, DIN 766 | 636653 | * | * | * |
| Low Profile | 8 mm, ISO 4565 / DIN 766 | 636282 | * | * | 636284 |

For additional options on compatible gypsies, please refer to page 84.
If you are interested in an alternative configuration not listed above or any other special product, please contact our team.
Product codes with * are available upon request.



Installation positions



Compatible Gypsies

Compatible Chains

Chain Stopper

Chain Pipe

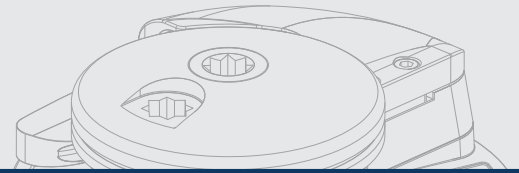
Optional Accessories

Please refer to Deck Hardware & Accessories section for control and installation products (pages 76-89).

SX3

Vertical Windlass

1500 W / 1700 W



With Drum



Low Profile

Main Features

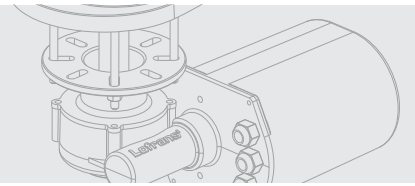
- Compact round base design
- With drum or low profile
- Marine AISI 316L Stainless Steel construction
- Independent gypsy and drum operation
- Manual chain release
- Chain counter magnet pre-installed as standard
- IP67 motor cover (up to 1500 W)
- Marine anodised aluminium gearbox
- Chain pipe available as an option

Standard Equipment

- Dual direction solenoid pack
- Handle
- Gypsy for chain
- QR code card for Instruction Manual

SX3 Vertical Windlass

1500 W / 1700 W



Construction

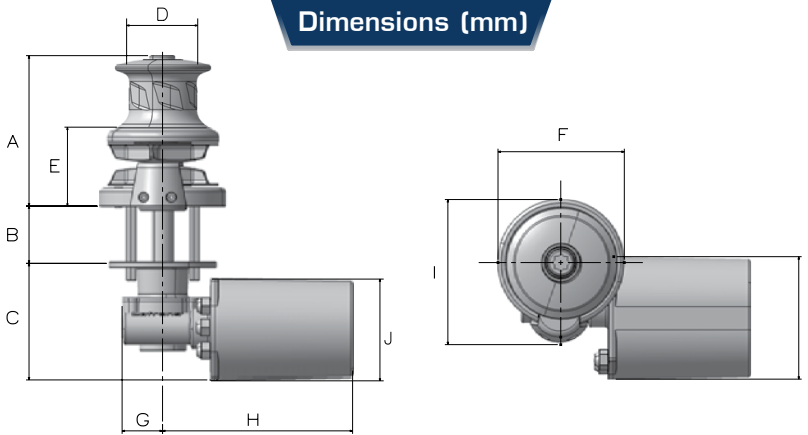
AISI 316L Stainless Steel

| Motor Size | 1500 W | | 1700 W | |
|------------------------------------|--------|------|--------|------|
| Power Supply (V) | 12 | 24 | 12 | 24 |
| Maximum Pull (kg) | 1200 | 1200 | 1600 | 1695 |
| Working Load (kg) | 165 | 165 | 200 | 215 |
| Amps at Working Load (A) | 150 | 65 | 180 | 90 |
| Line Speed at Working Load (m/min) | 17 | 17 | 14 | 15 |
| Max. Line Speed (m/min) | 40 | 40 | 35 | 35 |
| Net Weight Low Profile (kg) | 32 | 32 | 35 | 35 |
| Net Weight with Drum (kg) | 35 | 35 | 38 | 38 |

| SX3 | | Code | Code | Code | Code |
|-------------|---------------------------------|--------|------|--------|--------|
| With Drum | 8 mm ISO 4565 / DIN 766 | 636598 | * | * | * |
| | 10 mm, DIN 766 | 636652 | * | 636591 | 636288 |
| | 10 mm, ISO 4565 - 3/8" HT | 636658 | * | * | * |
| | 12 mm, ISO 4565 / 13mm, DIN 766 | * | * | * | 636287 |
| Low Profile | 10 mm, ISO 4565 | 636289 | * | * | * |
| | 12 mm, ISO 4565 / 13mm, DIN 766 | * | * | * | 636286 |

For additional options on compatible gypsies, please refer to page 84.
If you are interested in an alternative configuration not listed above or any other special product, please contact our team.
Product codes with * are available upon request.

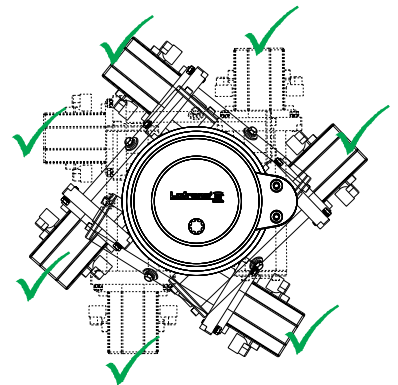
Dimensions (mm)



| Model | A | B | C | D | E* | F | G | H | I | J | L |
|--------|-----|-------|-----|-----|-----|------|----|-----|-----|-----|-----|
| 1500 W | 203 | 50-70 | 167 | Ø91 | 107 | Ø170 | 80 | 256 | 192 | 150 | 145 |
| 1700 W | 203 | 50-70 | 167 | Ø91 | 107 | Ø170 | 80 | 299 | 192 | 150 | 140 |

*Low Profile height dimensions.

Installation positions



Compatible Gypsies



Compatible Chains



Combine with

Chain Stopper



Chain Pipe



Optional Accessories



Please refer to Deck Hardware & Accessories section for control and installation products (pages 76-89).

SX3.5 Vertical Windlass

1700 W / 2300 W / 2700 W /
Hydraulic - 8cc



With Drum

Low Profile



Main Features

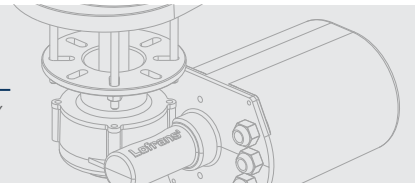
- Compact round base design
- Marine AISI 316L Stainless Steel construction
- With drum or low profile
- Independent gypsy and drum operation
- Manual chain release
- Chain counter magnet pre-installed as standard
- Marine anodised aluminium gearbox
- Heavy duty electric motor
- Chain pipe available as an option

Standard Equipment

- Dual direction solenoid pack
- Handle
- Gypsy for chain
- QR code card for Instruction Manual

SX3.5 Vertical Windlass

1700 W / 2300 W / 2700 W / Hydraulic - 8cc



| Construction | AISI 316L Stainless Steel | | | | |
|------------------------------------|---------------------------|--------|--------|-----------------|------|
| | 1700 W | 2300 W | 2700 W | Hydraulic - 8cc | |
| Motor Size | | | | | |
| Power Supply (V) | 12 | 24 | 24 | 24 | - |
| Maximum Pull (kg) | 1700 | 1750 | 1900 | 2400 | 2500 |
| Working Load (kg) | 215 | 220 | 265 | 320 | 650 |
| Amps at Working Load (A) | 135 | 68 | 110 | 125 | - |
| Line Speed at Working Load (m/min) | 15 | 15 | 18 | 18 | 16 |
| Max. Line Speed (m/min) | 32 | 32 | 30 | 32 | 16 |
| Net Weight Low Profile (kg) | 50 | 50 | 60 | 60 | 55 |
| Net Weight with Drum (kg) | 48 | 48 | 58 | 58 | 60 |
| Hydraulic Pressure (bar) | - | - | - | - | 200 |
| Hydraulic Flow (lt/min) | - | - | - | - | 32 |

| SX3.5 | | Code | Code | Code | Code | Code |
|-------------|---------------------------------|--------|--------|--------|--------|--------|
| With Drum | 10 mm, ISO 4565 | 600084 | 600085 | 602372 | * | * |
| | 12 mm, ISO 4565 / 13mm, DIN 766 | 600086 | 600087 | 600088 | 602373 | 636392 |
| | 14 mm | * | * | * | 600090 | * |
| Low Profile | 12 mm, ISO 4565 / 13mm, DIN 766 | 635984 | 635985 | 635986 | 636099 | * |
| | 14 mm | * | * | * | * | 636208 |

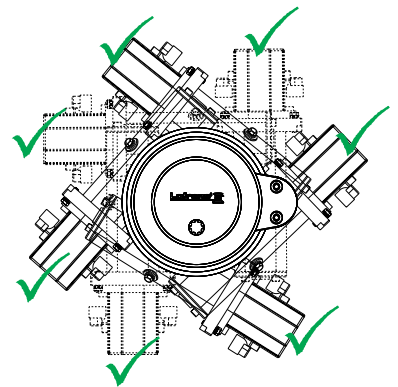
For additional options on compatible gypsies, please refer to page 84.
If you are interested in an alternative configuration not listed above or any other special product, please contact our team.
Product codes with * are available upon request.

Dimensions (mm)

| Model | A | B | C | D | E* | F | G | H | I | J | K | L |
|--------|-----|--------|-----|------|-----|-----|----|-----|------|------|-----|-----|
| 1700 W | 281 | 40-60 | 165 | Ø110 | 159 | 374 | 79 | 294 | Ø190 | Ø127 | 236 | 138 |
| 2300 W | 281 | 40-110 | 165 | Ø110 | 159 | 374 | 79 | 294 | Ø190 | Ø150 | 236 | 138 |
| 2700 W | 281 | 40-110 | 165 | Ø110 | 159 | 374 | 79 | 294 | Ø190 | Ø150 | 236 | 138 |

*Low Profile height dimensions. ** For Hydraulic version dimensions please see page 90.

Installation positions



Compatible Gypsies

Chain Stopper

Chain Pipe

Combine with

Optional Accessories

Please refer to Deck Hardware & Accessories section for control and installation products (pages 76-89).

SX4

Vertical Windlass

2300 W / 2700 W /
Hydraulic - 8cc



With Drum



Low Profile

Main Features

- Compact round base design
- Marine AISI 316L Stainless Steel construction
- With drum or low profile
- Independent gypsy and drum operation
- Manual chain release
- Chain counter magnet pre-installed as standard
- Marine anodised aluminium gearbox
- Manual override
- Chain pipe available as an option

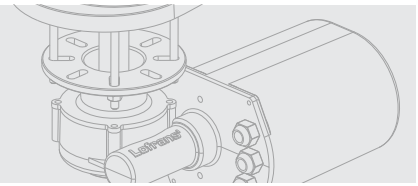
Standard Equipment

- Dual direction solenoid pack
- Handle
- Gypsy for chain
- QR code card for Instruction Manual


SX4

Vertical Windlass

2300 W / 2700 W / Hydraulic - 8cc



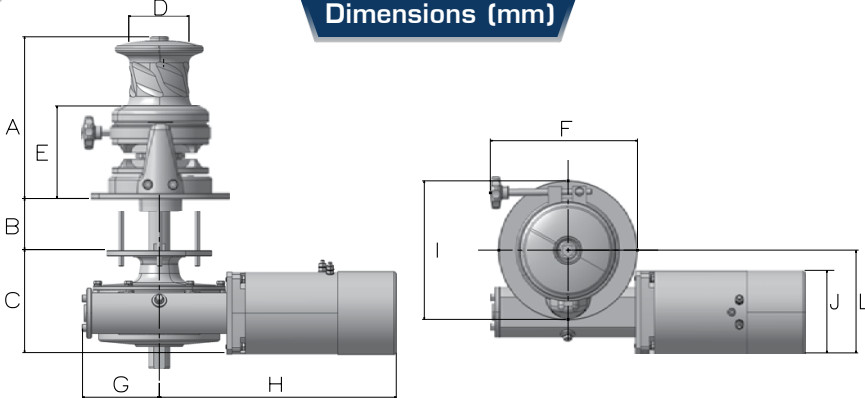
| Construction | | AISI 316L Stainless Steel | | |
|------------------------------------|--|---------------------------|--------|-----------------|
| Motor Size | | 2300 W | 2700 W | Hydraulic - 8cc |
| Power Supply (V) | | 24 | 24 | - |
| Maximum Pull (kg) | | 2100 | 2500 | 2500 |
| Working load (kg) | | 500 | 530 | 650 |
| Amps at Working Load (A) | | 160 | 170 | - |
| Line Speed at Working Load (m/min) | | 13 | 13 | 16 |
| Max Line Speed (m/min) | | 25 | 28 | 16 |
| Net Weight Low Profile (kg) | | 72 | 75 | 55 |
| Net Weight with Drum (kg) | | 82 | 85 | 60 |
| Hydraulic Pressure (bar) | | - | - | 200 |
| Hydraulic Flow (lt/min) | | - | - | 32 |

| SX4 |  | Type** | Code | Code | Code |
|-------------|---|--------|--------|--------|--------|
| With Drum | 12 mm, ISO 4565 / 13mm, DIN 766 | cw | 636290 | 636291 | 636295 |
| | 14 mm | cw | * | 636655 | * |
| Low Profile | 12 mm, ISO 4565 / 13mm, DIN 766 | cw | 636292 | 636293 | 636294 |
| | | ccw | * | 639293 | 639294 |

For additional options on compatible gypsies, please refer to page 84.
If you are interested in an alternative configuration not listed above or any other special product, please contact our team.
Product codes with * are available upon request.

** cw: the windlass pulls clockwise. ccw: the windlass pulls counter clockwise

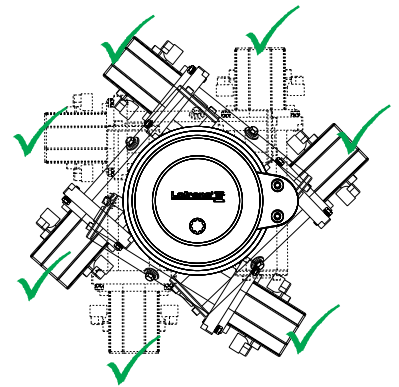
Dimensions (mm)






| Model | A | B | C | D | E* | F | G | H | I | J | L |
|--------|-----|--------|-----|------|-----|-----|-----|-----|-----|-----|-----|
| 2300 W | 298 | 60-130 | 191 | Ø110 | 170 | 264 | 142 | 436 | 255 | 152 | 189 |
| 2700 W | 298 | 60-130 | 191 | Ø110 | 170 | 264 | 142 | 436 | 255 | 152 | 189 |

* Low Profile height dimensions. ** For Hydraulic version dimensions please see page 95.

Installation positions

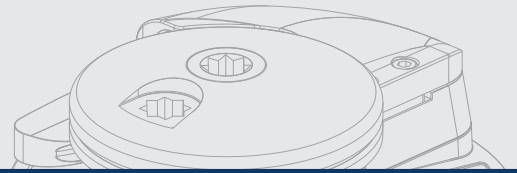


| | | | | | | |
|---|--|-----------------------|--|---|--|---|
| <h4>Compatible Gypsies</h4>  | <h4>Compatible Chains</h4>  | <h4>Combine with</h4> | <h4>Chain Stopper</h4>  | <h4>Chain Pipe</h4>  | <h4>Optional Accessories</h4>  | <p>Please refer to Deck Hardware & Accessories section for control and installation products (pages 76-89).</p> |
|---|--|-----------------------|--|---|--|---|

SX5

Vertical Windlass

3000 W / Hydraulic - 8cc



With Drum



Low Profile

Main Features

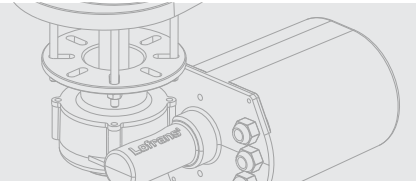
- Compact round base design
- Marine AISI 316L Stainless Steel construction
- Independent gypsy and drum operation
- Manual chain release
- Manual override
- Chain counter magnet pre-installed as standard
- Marine anodised aluminium gearbox
- Heavy-duty electric motor
- Chain pipe available as an option

Standard Equipment


- Dual direction solenoid pack
- Handle
- Gypsy for chain
- QR code card for Instruction Manual

SX5 Vertical Windlass

3000 W / Hydraulic - 8cc



| Construction | | AISI 316L Stainless Steel | | |
|------------------------------------|--|---------------------------|-----------------|--|
| Motor Size | | 3000 W | Hydraulic - 8cc | |
| Power Supply (V) | | 24 | - | |
| Maximum Pull (kg) | | 2800 | 2500 | |
| Working Load (kg) | | 760 | 680 | |
| Amps at Working Load (A) | | 210 | - | |
| Line Speed at Working Load (m/min) | | 17 | 21 | |
| Max. Line Speed (m/min) | | 33 | 21 | |
| Net Weight with Drum (kg) | | 100 | 85 | |
| Hydraulic Pressure (bar) | | - | 200 | |
| Hydraulic Flow (lt/min) | | - | 32 | |

| SX5 |  | Type** | Code | Code |
|-------------|---|--------|--------|--------|
| With Drum | 12 mm, ISO 4565 / 13mm, DIN 766 | cw | 600089 | 602389 |
| | | ccw | 600091 | 602390 |
| | 14 mm | ccw | 636463 | 602392 |
| Low Profile | 12 mm, ISO 4565 / 13mm, DIN 766 | cw | 636296 | * |

For additional options on compatible gypsies, please refer to page 84.
 If you are interested in an alternative configuration not listed above or any other special product, please contact our team.
 Product codes with * are available upon request.

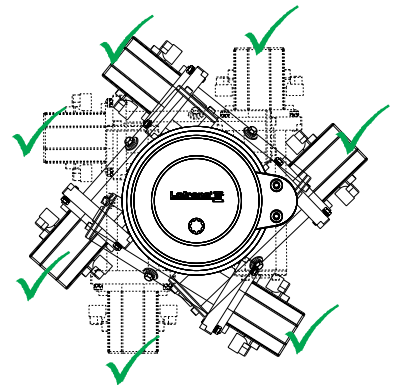
** cw: the windlass pulls clockwise. ccw: the windlass pulls counter clockwise

Dimensions (mm)

| Model | A | B | C | D | E* | F | G | H | I | J | K | L |
|--------|-----|-------|-----|------|-----|-----|-----|-----|------|------|-----|-----|
| 3000 W | 378 | 60-90 | 186 | Ø132 | 232 | 362 | 141 | 436 | Ø264 | Ø152 | 339 | 189 |

* Low Profile height dimensions. * For Hydraulic version dimensions please see page 90.

Installation positions



| | | | | | |
|--|---|--|--|---|--|
| Compatible Gypsies  | Compatible Chains  | Combine with Chain Stopper  | Chain Pipe  | Optional Accessories  | Please refer to Deck Hardware & Accessories section for control and installation products (pages 76-89). |
|--|---|--|--|---|--|

SX7

Vertical Windlass

3500 W / 4000 W /
Hydraulic - 8cc



Main Features

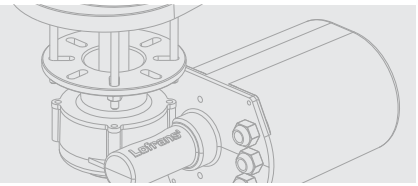
- Compact round base design
- Marine AISI 316L Stainless Steel construction
- Independent gypsy and drum operation
- Manual chain release
- Chain counter magnet pre-installed as standard
- Marine anodised aluminium gearbox
- Available electric (DC or AC) and hydraulic motors
- Chain pipe included in the package

Standard Equipment


- Dual direction solenoid pack
- Handle
- Gypsy for chain
- QR code card for Instruction Manual

SX7 Vertical Windlass

3500 W / 4000 W / Hydraulic - 8cc



| Construction | | AISI 316L Stainless Steel | | |
|------------------------------------|--|---------------------------|---------|-----------------|
| Motor Size | | 3500 W | 4000 W | Hydraulic - 8cc |
| Power Supply (V) | | 24 | 230-400 | - |
| Maximum Pull (kg) | | 3000 | 3100 | 3700 |
| Working Load (kg) | | 800 | 840 | 1000 |
| Amps at Working Load (A) | | 240 | - | - |
| Line Speed at Working Load (m/min) | | 7 | 8 | 10 |
| Max. Line Speed (m/min) | | 9 | 10 | 10 |
| Net Weight with Drum (kg) | | 160 | 160 | 145 |
| Hydraulic Pressure (bar) | | - | - | 200 |
| Hydraulic Flow (lt/min) | | - | - | 32 |

| SX7 |  | Type** | Code | Code | Code |
|-----------|---|--------|--------|--------|--------|
| With Drum | 12 mm, ISO 4565 / 13mm, DIN 766 | cw | 636459 | 636520 | 636526 |
| | 14 mm | cw | 636518 | 636522 | 636524 |
| | 12 mm, ISO 4565 / 13mm, DIN 766 | ccw | 636464 | 636521 | 636527 |
| | 14 mm | ccw | 636519 | 636523 | 636525 |

For additional options on compatible gypsies, please refer to page 84.
 If you are interested in an alternative configuration not listed above or any other special product, please contact our team.

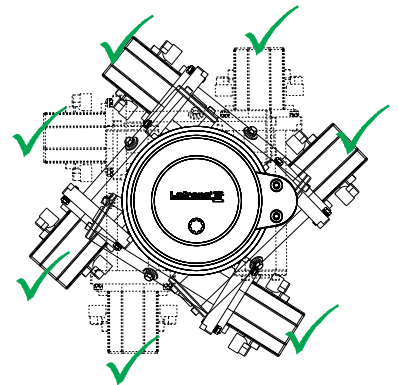
** cw: the windlass pulls clockwise. ccw: the windlass pulls counter clockwise

Dimensions (mm)

| Model | A | B | C | D | G | H | I | J | K |
|--------|-----|---------|-------|------|-----|-----|------|------|-----|
| 3500 W | 375 | 100-135 | 296,5 | Ø132 | 152 | 482 | Ø264 | Ø222 | 576 |
| 4000 W | | | | | | | | | |

* For Hydraulic version dimensions please see page 90.

Installation positions



Compatible Gypsies



| Code | Gypsy Size |
|--------|-----------------|
| 631042 | 12-13mm DIN 766 |
| 631065 | 14mm |
| 631082 | 16mm ISO 4565 |
| 631088 | 16mm DIN 766 |

Combine with

Compatible Chains



Optional Accessories



Please refer to Deck Hardware & Accessories section for control and installation products (pages 76-89).

ERCOLE VERTICAL

Windlass

3500 W / 4000 W / 5500 W /
7500 W / Hydraulic - 11cc

RINA
Approved



Chain Roller

Chain Pipe

Main Features

- Under-deck compact dimensions
- Marine AISI 316L Stainless Steel construction
- High torque latest generation electric motor able to provide the power needed in all marine conditions
- Band brake to assist in chain control, thanks to an easy-to-manage large hand-wheel

- Special high-grip drum with independent rotation from the gypsy, for warping function
- Independent gypsy and drum operation
- Manual chain release
- Manual override to recover the chain and anchor in case of electrical failure
- Internal ratchet to prevent chain jams into the chain locker which could damage the deck
- Chain counter support integrated by the sensor inserted in the base and the magnet in the gypsy
- Available also in counter clockwise rotation
- High-efficiency Lofrans' planetary - worm screw gearbox made in anodised black aluminium with gears made in high mechanical strength material
- Heavy-duty electric motor
- Available electric (DC or AC) and hydraulic motors
- Available in custom versions

Standard Equipment

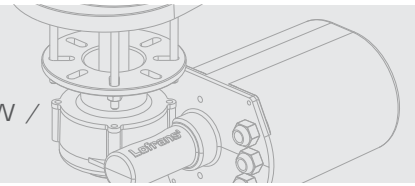
- Dual direction solenoid pack
- Handle
- Gypsy for chain
- QR code card for Instruction Manual

Please contact us for additional detailed documentation.

ERCOLE VERTICAL

Vertical Windlass

3500 W / 4000 W / 5500 W / 7500 W / Hydraulic - 11cc



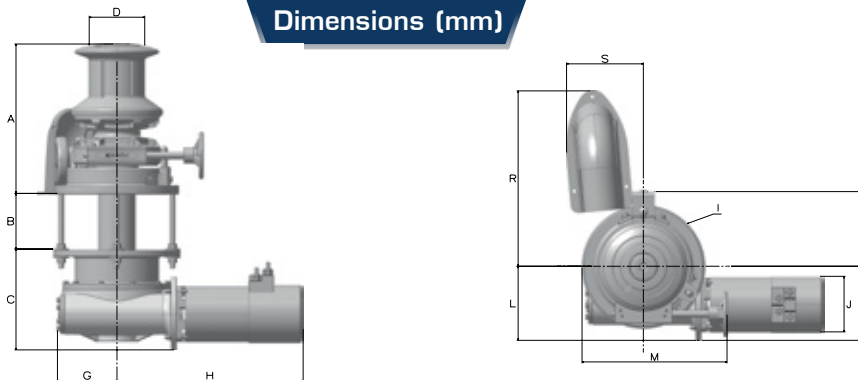
| Construction | AISI 316L Stainless Steel | | | | |
|------------------------------------|---------------------------|---------|---------|---------|------------------|
| Motor Size | 3500 W | 4000 W | 5500 W | 7500 W | Hydraulic - 11cc |
| Power Supply (V) | 24 | 230-400 | 230-400 | 400 | - |
| Maximum Pull (kg) | 4500 | 5500 | 6500 | 7500 | 6500 |
| Working load (kg) | 1075 | 1310 | 1550 | 2000 | 1550 |
| Amps at Working Load (A) | 120 | 9 - 14 | 9 - 14 | 20 - 25 | - |
| Line Speed at Working Load (m/min) | 8 | 12 | 12 | 12 | 12 |
| Max Line Speed (m/min) | 15 | 12 | 12 | 12 | 12 |
| Net Weight with Drum (kg) | 180 | 180 | 200 | 225 | 165 |
| Hydraulic Pressure (bar) | - | - | - | - | 200 |
| Hydraulic Flow (lt/min) | - | - | - | - | 40 |

| ERCOLE VERTICAL | Type** | Code | Code | Code | Code | Code | |
|-----------------|--------|------------------|--------|--------|--------|-----------|--------|
| With Drum | cw | 14 mm | 600080 | 600082 | * | * | 602523 |
| | | 16 mm ISO 4565 | 600310 | 600367 | 600409 | * | 602525 |
| | | 17,5 mm STUDLINK | * | * | 30003 | 636078*** | * |
| | ccw | 14 mm | 600081 | 600083 | * | * | 602524 |
| | | 16 mm ISO 4565 | 600308 | 600363 | 600408 | * | 602526 |
| | | 17,5 mm STUDLINK | * | * | 30004 | 636079*** | * |

For additional options on compatible gypsies, please refer to page 84.
 If you are interested in an alternative configuration not listed above or any other special product, please contact our team.
 Product codes with * are available upon request.

** cw: the windlass pulls clockwise. ccw: the windlass pulls counter clockwise. *** Deck thickness 100mm

Dimensions (mm)



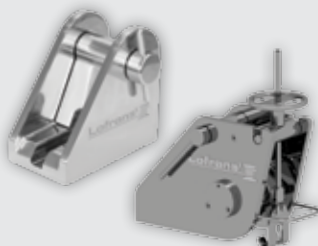
| Model | A | B | C | D | G | H | I | J | L | M | N | P | R | S |
|--------|-----|-----|-----|------|-----|-----|------|------|-----|-----|-----|-----|-------------------|-------------------|
| 3500 W | 392 | 150 | 270 | Ø150 | 160 | 502 | Ø330 | Ø158 | 205 | 420 | 195 | 205 | min 490 - max 600 | min 200 - max 230 |
| 4000 W | | | | | | 667 | | | | | | | | |
| 5500 W | | | | | | 786 | | | | | | | | |
| 7500 W | | | | | | | | | | | | | | |

* For Hydraulic version dimensions please see page 95.

Compatible Gypsies



Chain Stopper



Combine with

Kits

| Code | Description |
|--------|------------------|
| 418428 | KIT A - Seals |
| 418475 | KIT B - Screws |
| 418499 | KIT C - Pins |
| 418556 | KIT D - Circlips |

Optional Accessories

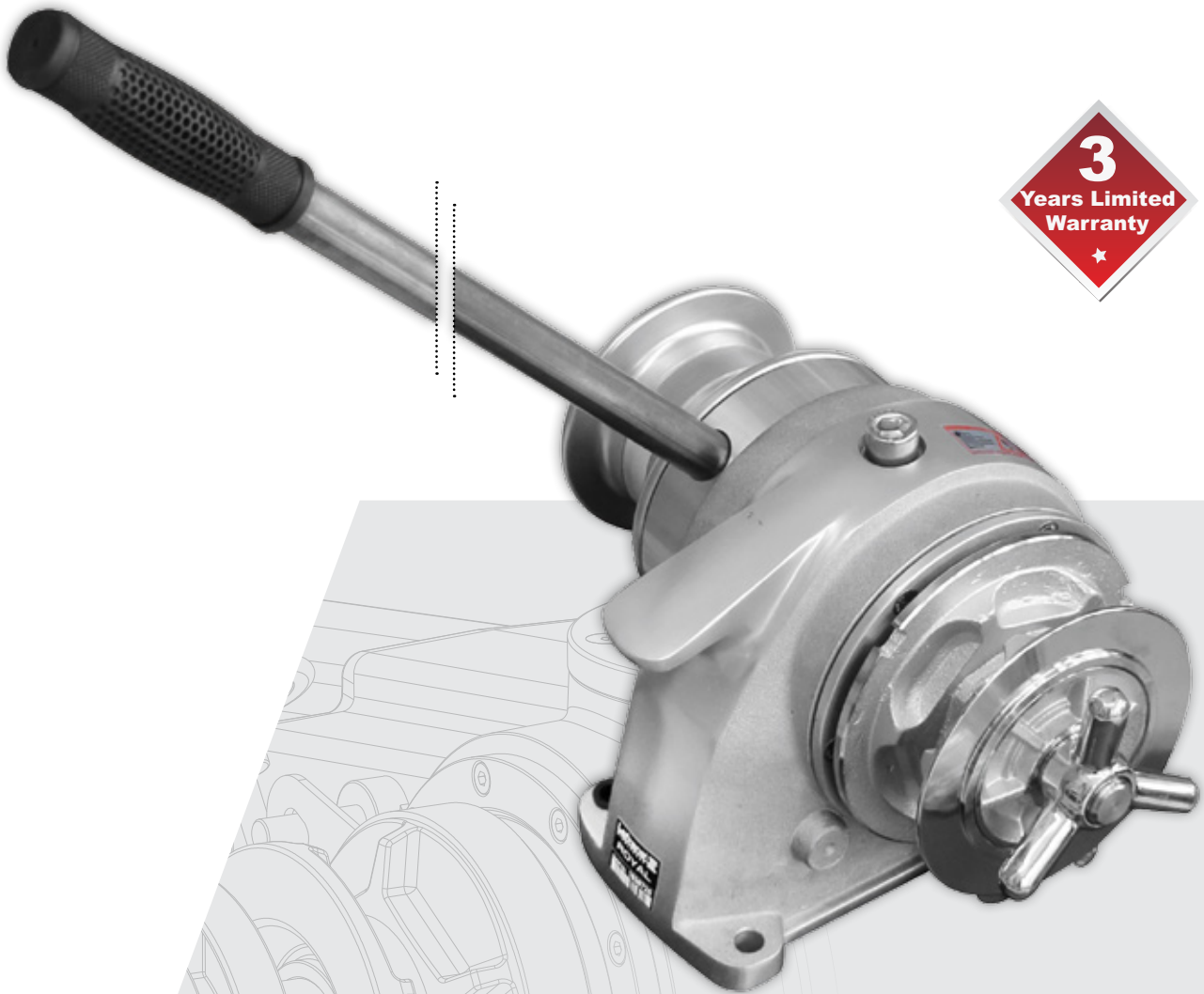


Please refer to Deck Hardware & Accessories section for control and installation products (pages 76-89).

ROYAL

Horizontal Windlass

Manual



3
Years Limited
Warranty
★

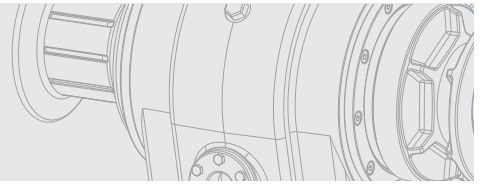
Main Features

- Marine anodised aluminium body
- Independent gypsy and drum operation
- Manual chain release
- Manual override


Standard Equipment

- Handle
- Gypsy for chain
- QR code card for Instruction Manual

ROYAL Horizontal Windlass Manual

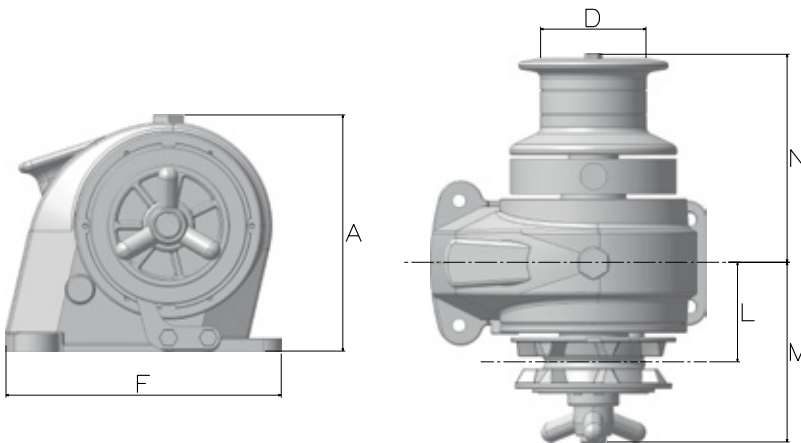


| Construction | Anodised Aluminium |
|------------------------------------|--------------------|
| Motor Size | Manual |
| Power Supply (V) | - |
| Maximum Pull (kg) | 400 |
| Working Load (kg) | 50 |
| Amps at Working Load (A) | - |
| Line Speed at Working Load (m/min) | - |
| Max. Line Speed (m/min) | - |
| Net Weight (kg) | 10 |

| ROYAL | Code | |
|-------|--|--------|
| |  6 mm, ISO 4565 / DIN 766 | 187323 |
| | 7 mm, ISO 4565 | 600625 |
| | 8 mm, ISO 4565 / DIN 766 | 404725 |
| | 10 mm, DIN 766 | 600079 |
| | 10 mm, ISO 4565 | 220002 |

*For additional options on compatible gypsies, please check below.
If you are interested in an alternative configuration not listed above or any other special product, please contact our team.*

Dimensions (mm)



| Model | A | D | F | L | M | N |
|--------|-----|-----|-----|----|-----|-----|
| Manual | 192 | Ø85 | 222 | 80 | 145 | 167 |

Combine with

Compatible Gypsies



| Code | Gypsy Size |
|--------|--------------------------|
| 630968 | 6 mm, ISO 4565 / DIN 766 |
| 630978 | 7mm, ISO 4565 - 1/4" G40 |
| 630994 | 8 mm, ISO 4565 / DIN 766 |
| 631118 | 10mm, DIN 766 |
| 631011 | 10mm, ISO 4565 - 3/8" HT |
| 631077 | 5/16" HT |
| 631120 | 3/8" BBB |
| 631122 | 3/8" PC |



KEEP YOUR LOFRANS' AS GOOD AS NEW!

Maintenance Kit for ROYAL

Code I 72046

Please refer to Deck Hardware & Accessories section for control and installation products (pages 76-89).

LION 1000

Horizontal Windlass

700 W



Main Features

- Automatic free fall available as an option
- White painted anodised aluminium body
- Manual chain release
- Chain & rope management by the spring loaded arm
- Chain counter magnet pre-installed as standard
- IP67 motor cover

Standard Equipment

- Dual direction solenoid pack
- Handle
- Gypsy for chain & rope
- QR code card for Instruction Manual

LION 1000


Horizontal Windlass

700 W

Construction

White Anodised Aluminium

| | |
|------------------------------------|--------------|
| Motor Size | 700 W |
| Power Supply (V) | 12 |
| Maximum Pull (kg) | 575 |
| Working Load (kg) | 105 |
| Amps at Working Load (A) | 60 |
| Line Speed at Working Load (m/min) | 23 |
| Max. Line Speed (m/min) | 26 |
| Net Weight (kg) | 11 |

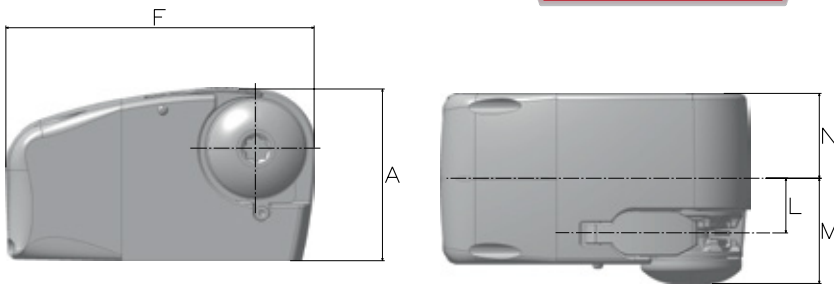
| LION 1000 |  | | Code |
|--------------|---|--------------------|----------------|
| | 6 mm, ISO 4565 | 10-12 mm, 3-strand | 636214 |
| | 8 mm, ISO 4565 / DIN 766 | 12 mm, 3-strand | 636215 |
| | 6 mm, ISO 4565 | 10-12 mm, 3-strand | 636216* |
| | 8 mm, ISO 4565 / DIN 766 | 12 mm, 3-strand | 636217* |

*With automatic free fall installed.

For additional options on compatible gypsies, please check below.

If you are interested in an alternative configuration not listed above or any other special product, please contact our team.

Dimensions (mm)



| Model | A | F | L | M | N |
|-------|-----|-----|----|----|----|
| 700 W | 154 | 273 | 50 | 93 | 75 |

Combine with

Compatible Chains



| Code | Chain Size | Pack (m) |
|-------|--------------------------|----------|
| 72749 | 6 mm, ISO 4565 / DIN 766 | 30 |
| 72751 | 8 mm, ISO 4565 / DIN 766 | 30 |

More available packs
(see pages 87)

Compatible Gypsies



| Code | Gypsy Size |
|--------|--------------------------|
| 631005 | 6 mm, ISO 4565 / DIN 766 |
| 631007 | 7 mm, ISO 4565 |
| 636643 | 8 mm, ISO 4565 / DIN 766 |

Optional Accessories

- Foot Switch
- Control Switch
- Circuit Breaker
- Chain Counter
- Hand Held Control
- Radio Control



Please refer to Deck Hardware & Accessories section for control and installation products (pages 76-89).

DORADO

Horizontal Windlass

500 W / 800 W



**Stern Windlass Support,
Stainless Steel 316,
with Roller & Flange**



Code I 72204



Main Features

- Marine anodised aluminium body
- Manual chain release
- Chain & rope management by the spring loaded arm
- Automatic free fall available as an option

Standard Equipment

- Dual direction solenoid pack
- Handle
- Gypsy for chain & rope
- QR code card for Instruction Manual

DORADO Horizontal Windlass

500 W / 800 W

| Construction | Anodised Aluminium | |
|------------------------------------|--------------------|-------|
| | 500 W | 800 W |
| Motor Size | 500 W | 800 W |
| Power Supply (V) | 12 | 12 |
| Maximum Pull (kg) | 630 | 900 |
| Working Load (kg) | 95 | 125 |
| Amps at Working Load (A) | 65 | 80 |
| Line Speed at Working Load (m/min) | 18 | 20 |
| Max. Line Speed (m/min) | 24 | 25 |
| Net Weight (kg) | 10 | 11 |

| DORADO | Type | | Code | Code |
|--------------------------|-----------------|--------------------|--------|--------|
| | 6 mm, ISO 4565 | 10-12 mm, 3-strand | Port | 409568 |
| 8 mm, ISO 4565 / DIN 766 | 12 mm, 3-strand | Port | 600212 | 409569 |

*For additional options on compatible gypsies, please check below.
If you are interested in an alternative configuration not listed above or any other special product, please contact our team.*

Dimensions (mm)

| Model | A | C | F | J | L | M | N |
|-------|-----|-----|-----|-----|----|----|----|
| 500 W | 130 | 152 | 200 | Ø82 | 48 | 98 | 53 |
| 800 W | 130 | 164 | 200 | Ø94 | 48 | 98 | 53 |

Compatible Gypsies

| Code | Gypsy Size |
|--------|--------------------------|
| 630974 | 6 mm, ISO 4565 / DIN 766 |
| 630984 | 7mm, ISO 4565 |
| 636642 | 8 mm, ISO 4565 / DIN 766 |

Optional Accessories

- Foot Switch
- Control Switch
- Circuit Breaker
- Chain Counter
- Hand Held Control
- Radio Control

KEEP YOUR LOFRANS' AS GOOD AS NEW!

Maintenance Kit for DORADO

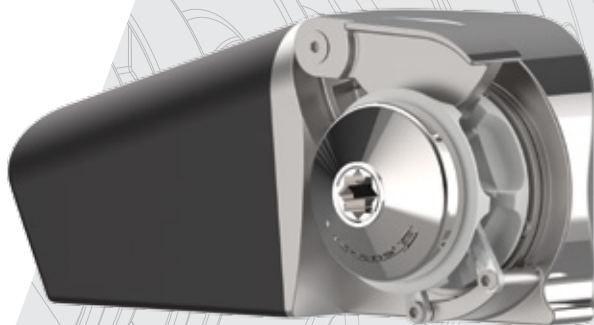
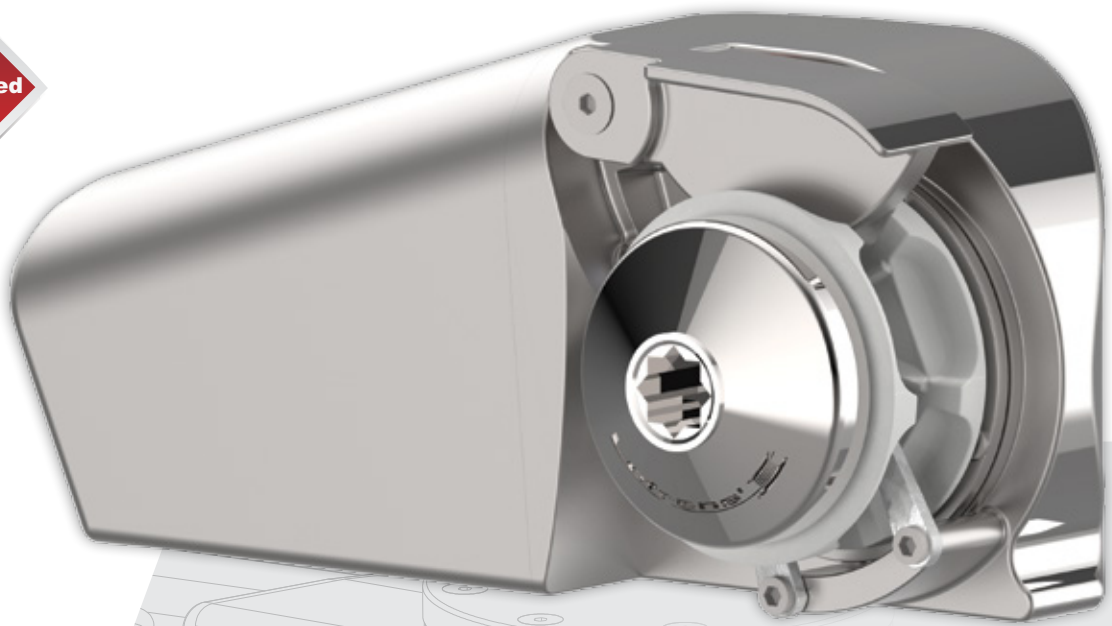
Code | 72047

Please refer to Deck Hardware & Accessories section for control and installation products (pages 76-89).

RAZZA

Horizontal Windlass

500 W / 800 W



Main Features

- Marine AISI 316L Stainless Steel construction
- Manual chain release
- Chain & rope management by the spring loaded arm
- IP67 motor cover
- Automatic free fall available as an option

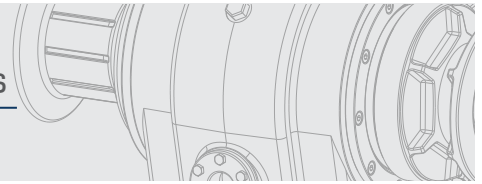
Standard Equipment

- Dual direction solenoid pack
- Handle
- Gypsy for chain & rope
- QR code card for Instruction Manual

RAZZA

Horizontal Windlass



500 W / 800 W



Construction

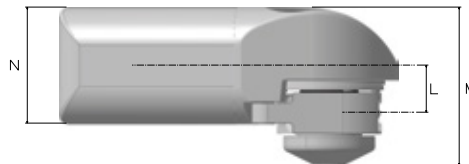
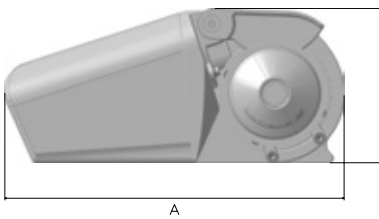
AISI 316L Stainless Steel

| Motor Size | 500 W | 800 W |
|------------------------------------|-------|-------|
| Power Supply (V) | 12 | 12 |
| Maximum Pull (kg) | 630 | 900 |
| Working Load (kg) | 95 | 125 |
| Amps at Working Load (A) | 65 | 80 |
| Line Speed at Working Load (m/min) | 18 | 20 |
| Max. Line Speed (m/min) | 24 | 25 |
| Net Weight (kg) | 11 | 11 |

| RAZZA |  | |  | | Code | Code |
|-------|---|-----------------|---|--|--------|--------|
| | | 6mm, ISO 4565 | 10-12 mm, 3-strand | | | 636738 |
| | 8mm, ISO 4565 / DIN 766 | 12 mm, 3-strand | | | 636739 | 636699 |

For additional options on compatible gypsies, please check below.
If you are interested in an alternative configuration not listed above or any other special product, please contact our team.

Dimensions (mm)



| Model | A | F | L | M | N |
|-------|-----|-----|----|-----|-----|
| 500 W | 319 | 145 | 44 | 149 | 109 |
| 800 W | | | | | |

Combine with

Compatible Chains



| Code | Chain Size | Pack (m) |
|-------|--------------------------|----------|
| 72749 | 6 mm, ISO 4565 / DIN 766 | 30 |
| 72751 | 8 mm, ISO 4565 / DIN 766 | 30 |

More available packs (see pages 87)

Compatible Gypsies



| Code | Gypsy Size |
|--------|--------------------------|
| 630974 | 6 mm, ISO 4565 / DIN 766 |
| 630984 | 7mm, ISO 4565 |
| 636642 | 8 mm, ISO 4565 / DIN 766 |

Optional Accessories

- Foot Switch
- Control Switch
- Circuit Breaker
- Chain Counter
- Hand Held Control
- Radio Control



Please refer to Deck Hardware & Accessories section for control and installation products (pages 76-89).

GECKO

Stern Windlass

600 W / 900 W



Main Features

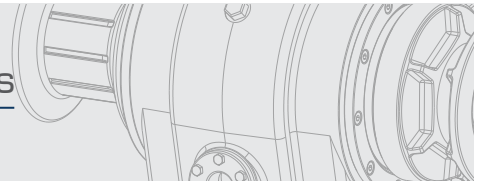
- Available in two different configurations, for installation in the port or starboard side of the transom
- IP67 protective cover for the motor
- Marine anodised aluminium gearbox
- Automatic free fall operation with the push of a button
- Automatic stop function for carefree anchoring
- For use with 12/ 14/ 16 mm 3-strand or leaded rope
- Compact design
- Easy installation which needs very limited space (the motor/gearbox can rotate up to 180° at 60° increments)


Standard Equipment

- Dual direction solenoid pack
- Handle
- Gypsy for rope
- QR code card for Instruction Manual
- Automatic stop

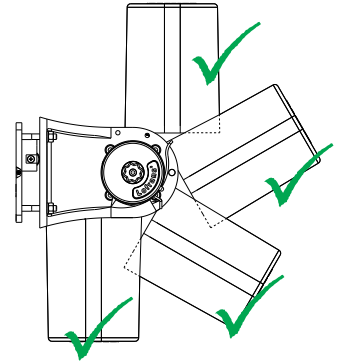
GECKO Horizontal Windlass

600 W / 900 W

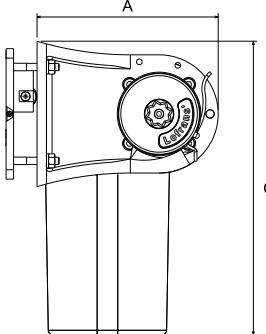


| Construction | | Anodised Aluminium | |
|------------------------------------|---|--------------------|--------|
| Motor Size | | 600 W | 900 W |
| Power Supply (V) | | 12 | 12 |
| Maximum Pull (kg) | | 630 | 700 |
| Working Load (kg) | | 95 | 125 |
| Amps at Working Load (A) | | 65 | 80 |
| Line Speed at Working Load (m/min) | | 18 | 20 |
| Max Line Speed (m/min) | | 24 | 25 |
| Net Weight (kg) | | 9 | 10 |
| GECKO |  12/14/16 mm, 3-strand or leaded rope | Code | Code |
| | | 636645 | 636633 |

Installation positions

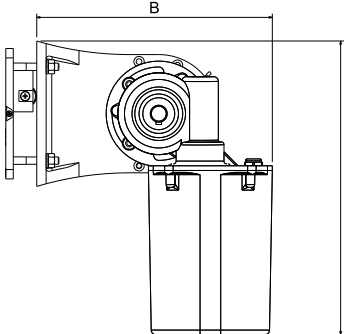


Dimensions (mm)



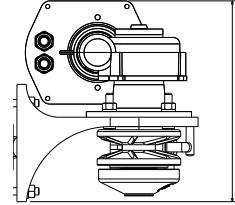
A

C



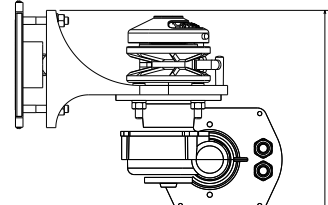
B

C



Port Mounting

D



Starboard Mounting

D

| Model | A | C | C | D |
|-------|-----|-----|-----|-----|
| 600 W | 193 | 250 | 310 | 217 |
| 900 W | | | | |

Compatible Gypsies



| Code | Gypsy Size |
|--------|----------------------------|
| 634877 | 12/14/16 mm, 3-strand rope |

Combine with

Optional Accessories

- Foot Switch
- Control Switch
- Circuit Breaker
- Chain Counter
- Hand Held Control
- Radio Control



Please refer to Deck Hardware & Accessories section for control and installation products (pages 76-89).

CAYMAN

Horizontal Windlass

700 W / 1000 W



Main Features

- Marine anodised aluminium body
- Independent gypsy and drum operation
- Manual chain release
- Manual override
- IP67 motor cover
- Automatic free fall available as an option

Standard Equipment

- Dual direction solenoid pack
- Handle
- Gypsy for chain
- QR code card for Instruction Manual

CAYMAN

Horizontal Windlass


700 W / 1000 W



Construction

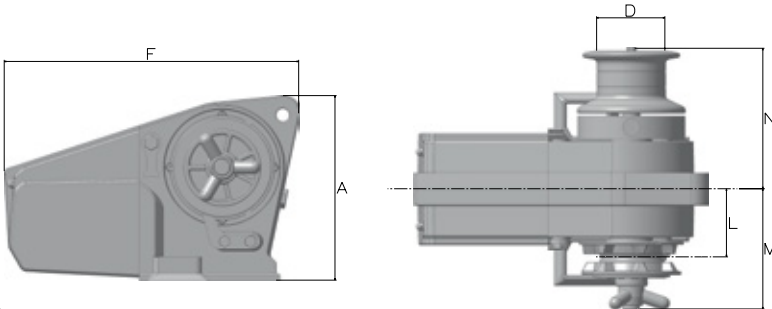
Anodised Aluminium

| Motor Size | 700 W | | 1000 W | |
|------------------------------------|-------|------|--------|------|
| Power Supply (V) | 12 | 24 | 12 | 24 |
| Maximum Pull (kg) | 1000 | 1010 | 1250 | 1325 |
| Working Load (kg) | 100 | 135 | 170 | 170 |
| Amps at Working Load (A) | 110 | 110 | 150 | 80 |
| Line Speed at Working Load (m/min) | 21 | 25 | 16 | 17 |
| Max. Line Speed (m/min) | 32 | 30 | 32 | 33 |
| Net Weight (kg) | 24 | 24 | 25 | 25 |

| CAYMAN |  | Code | Code | Code | Code |
|--------|---|--------|--------|--------|--------|
| | 6 mm, ISO 4565 / DIN 766 | 600043 | * | 600153 | 600173 |
| | 8 mm, ISO 4565 / DIN 766 | 220273 | 600172 | 220279 | 600175 |
| | 10 mm, ISO 4565 | 600150 | * | 419732 | 600178 |
| | 10 mm, DIN 766 | * | * | 600165 | 600180 |

For additional options on compatible gypsies, please check below.
If you are interested in an alternative configuration not listed above or any other special product, please contact our team.
Product codes with * are available upon request.

Dimensions (mm)



| Model | A | D | F | L | M | N |
|--------|-----|-----|-----|----|-----|-----|
| 700 W | 230 | Ø85 | 370 | 85 | 150 | 175 |
| 1000 W | 230 | Ø85 | 370 | 85 | 150 | 175 |

Compatible Gypsies



| Code | Gypsy Size |
|--------|---------------------------|
| 630968 | 6 mm, ISO 4565 / DIN 766 |
| 630978 | 7 mm, ISO 4565 - 1/4" G40 |
| 630994 | 8 mm, ISO 4565 / DIN 766 |
| 631118 | 10 mm, DIN 766 |
| 631011 | 10 mm, ISO 4565 - 3/8" HT |
| 631120 | 3/8" BBB |
| 631122 | 3/8" PC |
| 631077 | 5/16" HT |

Compatible Chains



| Code | Chain Size | Pack (m) |
|-------|--------------------------|----------|
| 72749 | 6 mm, ISO 4565 / DIN 766 | 30 |
| 72751 | 8 mm, ISO 4565 / DIN 766 | 30 |
| 72753 | 10mm, ISO 4565 | 120 |
| 72319 | 10mm, DIN 766 | 30 |

More available packs (see pages 87)

Optional Accessories

- Foot Switch
- Control Switch
- Circuit Breaker
- Chain Counter
- Hand Held Control
- Radio Control



KEEP YOUR LOFRANS' AS GOOD AS NEW!



Maintenance Kit for CAYMAN & KOBRA

Code I 72048

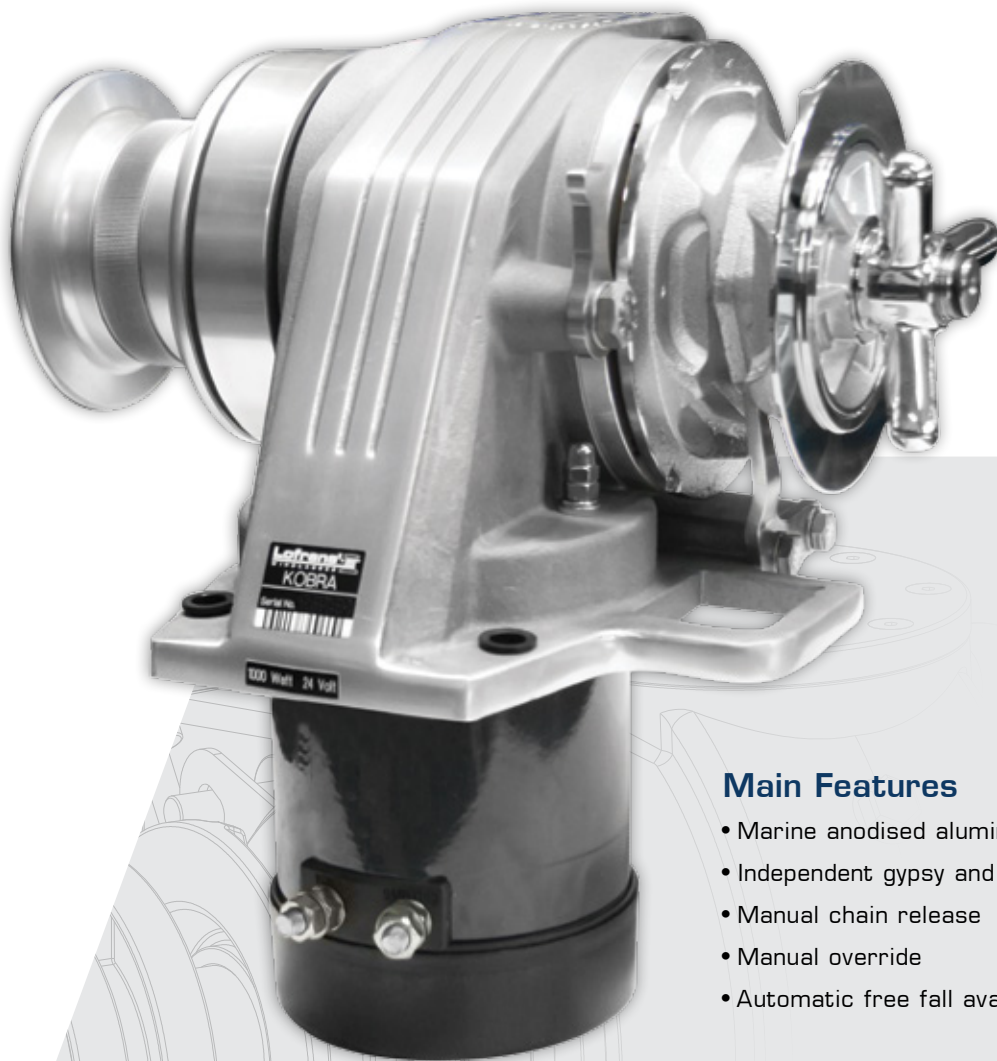
Please refer to Deck Hardware & Accessories section for control and installation products (pages 76-89).



KOBRA

Horizontal Windlass

1000 W



Main Features

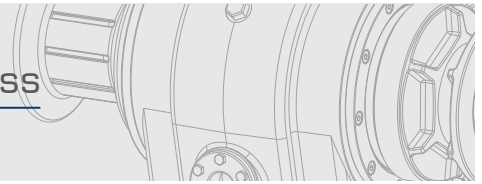
- Marine anodised aluminium body
- Independent gypsy and drum operation
- Manual chain release
- Manual override
- Automatic free fall available as an option


Standard Equipment

- Dual direction solenoid pack
- Handle
- Gypsy for chain
- QR code card for Instruction Manual

KOBRA Horizontal Windlass

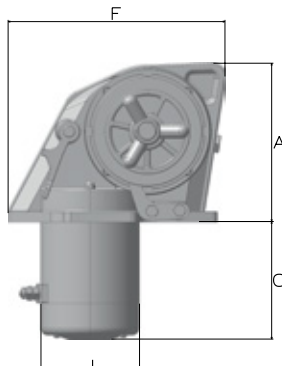
1000 W

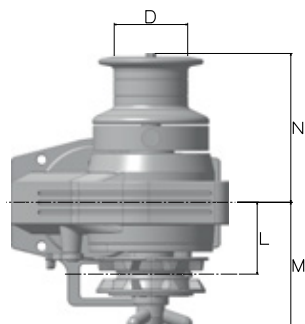


| Construction | | Anodised Aluminium | |
|------------------------------------|---|--------------------|-------------|
| Motor Size | | 1000 W | |
| Power Supply (V) | | 12 | 24 |
| Maximum Pull (kg) | | 1250 | 1325 |
| Working Load (kg) | | 170 | 170 |
| Amps at Working Load (A) | | 150 | 80 |
| Line Speed at Working Load (m/min) | | 16 | 17 |
| Max. Line Speed (m/min) | | 32 | 33 |
| Net Weight (kg) | | 21 | 21 |
| KOBRA |  | Code | Code |
| | 6 mm, ISO 4565 / DIN 766 | 600051 | 600513 |
| | 8 mm, ISO 4565 / DIN 766 | 220260 | 600514 |
| | 10 mm, ISO 4565 | 428747 | 471734 |
| | 10 mm, DIN 766 | 600052 | 220420 |

For additional options on compatible gypsies, please check below.
If you are interested in an alternative configuration not listed above or any other special product, please contact our team.

Dimensions (mm)





| Model | A | C | F | D | J | L | M | N |
|--------|-----|-----|-----|-----|-----|----|-----|-----|
| 1000 W | 184 | 136 | 251 | Ø85 | Ø94 | 83 | 147 | 172 |

Compatible Gypsies



| Code | Gypsy Size |
|--------|---------------------------|
| 630968 | 6 mm, ISO 4565 / DIN 766 |
| 630978 | 7 mm, ISO 4565 - 1/4" G40 |
| 630994 | 8 mm, ISO 4565 / DIN 766 |
| 631118 | 10 mm, DIN 766 |
| 631011 | 10 mm, ISO 4565 - 3/8" HT |
| 631120 | 3/8" BBB |
| 631122 | 3/8" PC |
| 631077 | 5/16" HT |

Combine with

Compatible Chains



| Code | Chain Size | Pack (m) |
|-------|--------------------------|----------|
| 72749 | 6 mm, ISO 4565 / DIN 766 | 30 |
| 72751 | 8 mm, ISO 4565 / DIN 766 | 30 |
| 72753 | 10mm, ISO 4565 | 120 |
| 72319 | 10mm, DIN 766 | 30 |

More available packs (see pages 87)

Optional Accessories

- Foot Switch
- Control Switch
- Circuit Breaker
- Chain Counter
- Hand Held Control
- Radio Control



KEEP YOUR LOFRANS' AS GOOD AS NEW!



Maintenance Kit for CAYMAN & KOBRA

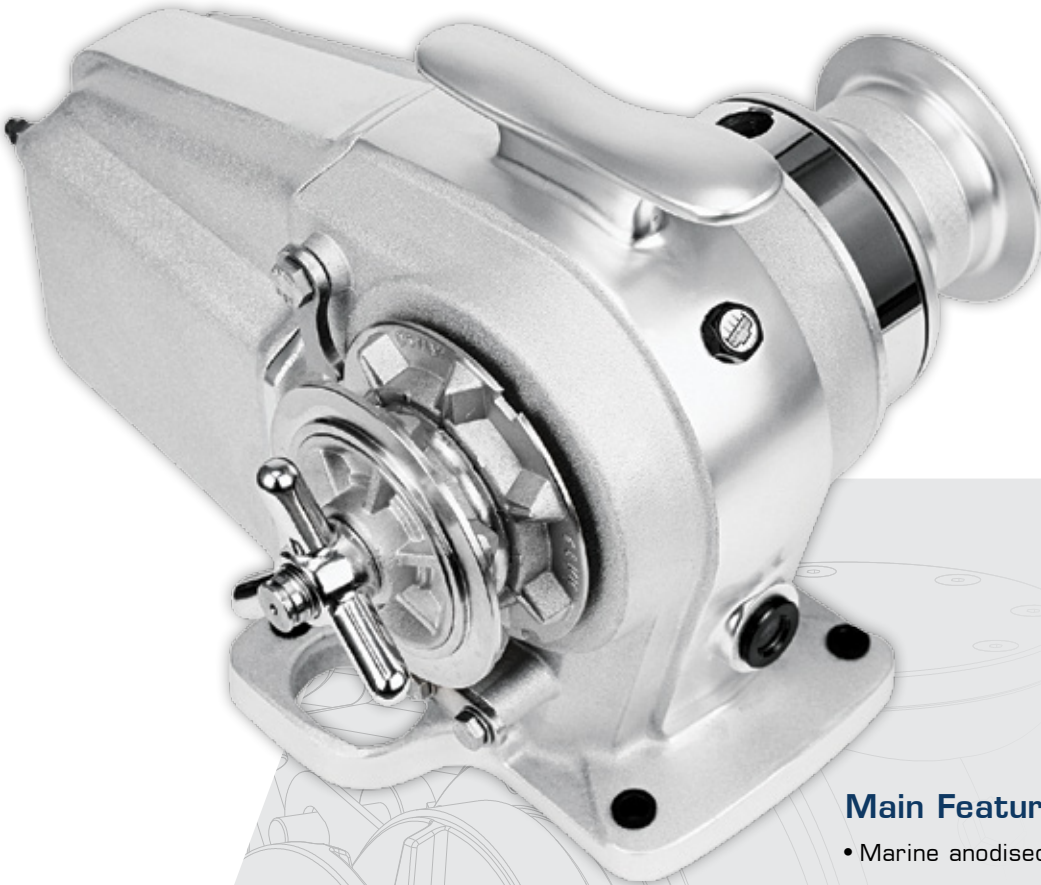
Code I 72048

Please refer to Deck Hardware & Accessories section for control and installation products (pages 76-89).

TIGRES

Horizontal Windlass

1500 W



Main Features

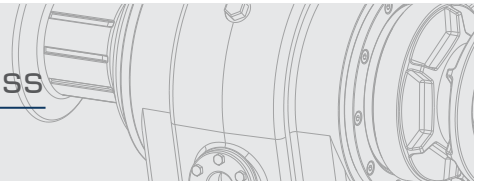
- Marine anodised aluminium body
- Independent gypsy and drum operation
- Manual chain release
- Manual override
- IP67 motor cover
- Automatic free fall available as an option
- Rope Kit is available for all models
- 48V models come with pre-installed Rope Kit as standard

Standard Equipment

- Dual direction solenoid pack
- Handle
- Gypsy for chain
- QR code card for Instruction Manual

TIGRES Horizontal Windlass

1500 W



Construction

Anodised Aluminium

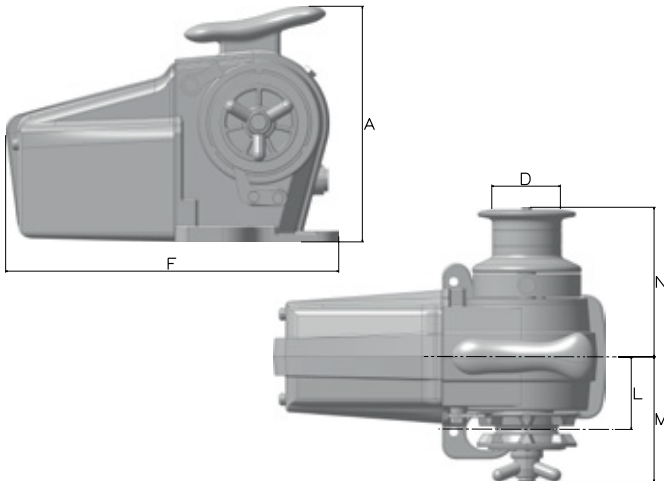
| Motor Size | 1500 W | | |
|------------------------------------|--------|------|------|
| Power Supply (V) | 12 | 24 | 48 |
| Maximum Pull (kg) | 1500 | 1590 | 1000 |
| Working load (kg) | 190 | 200 | 120 |
| Amps at Working Load (A) | 160 | 90 | 33 |
| Line Speed at Working Load (m/min) | 14 | 16 | 20 |
| Max. Line Speed (m/min) | 33 | 33 | 20 |
| Net Weight (kg) | 28 | 28 | 28 |

| TIGRES | Compatible Rope Kit | | Code | Code | Code |
|--------|--------------------------|--------|--------|--------|----------|
| | 8 mm, ISO 4565 / DIN 766 | 636566 | 418407 | 418409 | 636691** |
| | 10 mm, ISO 4565 | 636616 | 470060 | 220290 | 636692** |
| | 10 mm, DIN 766 | - | 600055 | 600059 | * |

For additional options on compatible gypsies, please refer to page 85.
If you are interested in an alternative configuration not listed above or any other special product, please contact our team.
Product codes with * are available upon request.

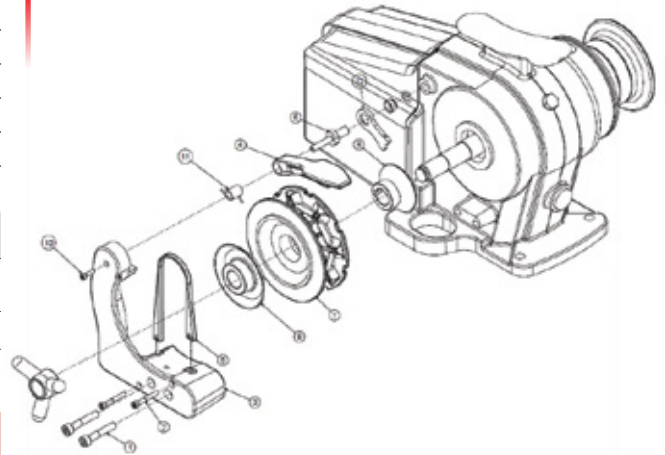
****48V models come with ROPE KIT pre-installed as standard**

Dimensions (mm)



| Model | A | D | F | L | M | N |
|--------|-----|-----|-----|----|-----|-----|
| 1500 W | 290 | Ø85 | 415 | 90 | 155 | 185 |

ROPE KIT for TIGRES



| Code | | |
|--------|---------------------|---------------------------------|
| 636566 | 8 mm ISO - 5/16" HT | 14mm 3-strand or 8 plaited rope |
| 636616 | 10 mm ISO-3/8" HT | 16mm 3-strand or 8 plaited rope |

Included in Package

- Screw socket head 8x45 (x2)
- Screw socket head 5x30 (x2)
- Screw socket head 4x16
- Spring
- Body
- Finger
- Stripper
- Finger Pin
- Gypsy
- Internal Cone Clutch

| Nr. | Code | Description |
|-----|--------|--|
| 1 | 04341 | Hexagon Screw M8x45 |
| 2 | 634119 | Hexagon Screw M6x40 |
| 3 | 05989 | Body |
| 4 | 05990 | Finger |
| 5 | 05991 | Stripper |
| 6 | 05992 | Finger Pin |
| 7 | 05993 | Gypsy for Ø 8mm 5/16" or 10mm 3/8" chain |
| 8 | 05994 | Inner Cone Clutch |
| 9 | 631842 | Outer Cone Clutch |
| 10 | 05159 | Hexagon Screw M4x16 |
| 11 | 636100 | Spring |
| 12 | 635342 | Pawl |

Combine with

Compatible Gypsies



Optional Accessories



KEEP YOUR LOFRANS' AS GOOD AS NEW!



Maintenance Kit for TIGRES

Code I 72050

Please refer to Deck Hardware & Accessories section for control and installation products (pages 76-89).



FALKON

Horizontal Windlass

1700 W / 2000 W



Standard Type

Main Features

- Marine anodised aluminium body
- Independent gypsy and drum operation
- Manual chain release
- Manual override
- IP67 motor cover

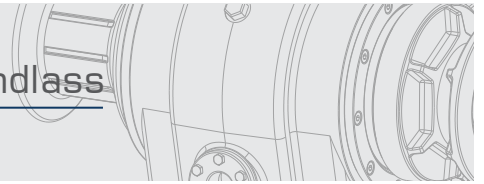
Standard Equipment

- Dual direction solenoid pack
- Handle
- Gypsy for chain
- QR code card for Instruction Manual

FALKON

Horizontal Windlass

1700 W / 2000 W



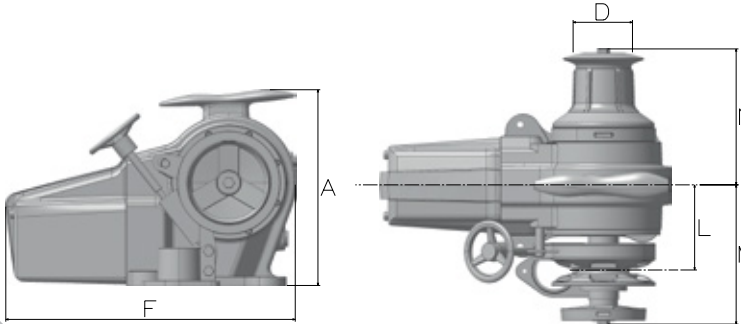
| Construction | | Anodised Aluminium | | |
|------------------------------------|--|--------------------|------|--------|
| Motor Size | | 1700 W | | 2000 W |
| Power Supply (V) | | 12 | 24 | 24 |
| Maximum Pull (kg) | | 1700 | 1800 | 2640 |
| Working Load (kg) | | 215 | 225 | 330 |
| Amps at Working Load (A) | | 210 | 100 | 110 |
| Line Speed at Working Load (m/min) | | 14 | 15 | 19 |
| Max. Line Speed (m/min) | | 33 | 33 | 33 |
| Net Weight (kg) | | 55 | 55 | 57 |

| FALKON | Type | | Code | Code | Code |
|--------|---|---------------------------------|--------|--------|--------|
| | Standard (Drum port & Gypsy starboard) | 10 mm, ISO 4565 / 3/8" HT | 220293 | 418511 | 636670 |
| | | 10 mm, DIN 766 | 600063 | 600067 | * |
| | | 12 mm, ISO 4565 / 13mm, DIN 766 | 404732 | 404733 | 636606 |
| | | 7/16" HT | * | * | 636671 |
| | | 1/2" HT | 600446 | 600471 | 636672 |
| | Gypsy port & Gypsy starboard | 600432 | 600448 | 636673 | |

For additional options on compatible gypsies, please check below.

If you are interested in an alternative configuration not listed above or any other special product, please contact our team. Product codes with * are available upon request.


Dimensions (mm)



| Model | A | D | F | L | M | N |
|--------|-----|------|-----|-----|-----|-----|
| 1700 W | 345 | Ø104 | 500 | 147 | 240 | 235 |

| Model | Type | A | D | F | L | M | N |
|--------|------------------------------|-----|------|-----|---------|-----|-----|
| 2000 W | Standard | 340 | Ø104 | 500 | 147 | 240 | 235 |
| | Gypsy port & Gypsy starboard | 345 | - | 510 | 147/140 | 238 | 292 |

Compatible Gypsies




| Code | Gypsy Size |
|--------|---------------------------|
| 631132 | 10 mm, DIN 766 - 3/8" BBB |
| 636570 | 10 mm, ISO 4565 - 3/8" HT |
| 636572 | 12-13mm, DIN 766 |
| 631050 | 13mm, DIN 764 |
| 631059 | 14mm |
| 631033 | 1/2" BBB |
| 631036 | 1/2" G40 |
| 631124 | 3/8" G40 |
| 631129 | 5/16" HT |
| 636571 | 7/16" HT |


Combine with

Optional Accessories

- Foot Switch
- Control Switch
- Circuit Breaker
- Chain Counter
- Hand Held Control
- Radio Control
- Chain Stopper



KEEP YOUR LOFRANS' AS GOOD AS NEW!



Maintenance Kit for FALKON

Code I 72051

Please refer to Deck Hardware & Accessories section for control and installation products (pages 76-89).

TITAN

Horizontal Windlass

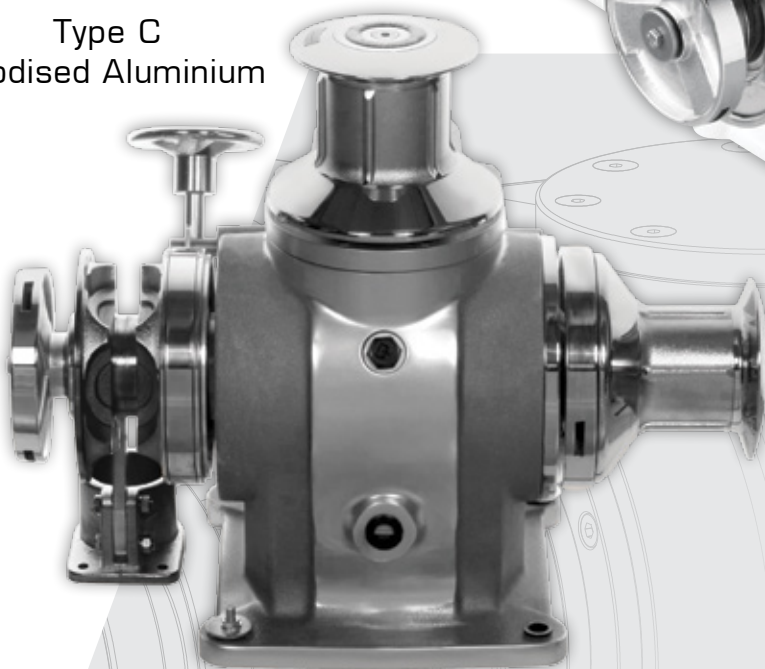
2300 W • 24V/ 3600 W • AC / Hydraulic - 9cc



Type B
White Anodised Aluminium



Type C
Anodised Aluminium



Main Features

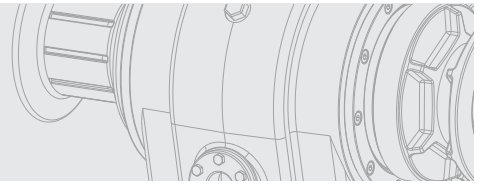
- Marine anodised aluminium body
- Available in white polyester coating
- Independent gypsy and drum operation
- Manual chain release
- Manual override
- IP67 motor cover

Standard Equipment

- Dual direction solenoid pack
- Handle
- Gypsy for chain
- QR code card for Instruction Manual

TITAN Horizontal Windlass

2300 W • 24V / 3600 W • AC / Hydraulic - 9cc



Construction

Anodised Aluminium

| Motor Size | 2300 W | 3600 W | Hydraulic - 9cc |
|------------------------------------|--------|-----------|-----------------|
| Power Supply (V) (Phase) | 24 | 230 (1Ph) | - |
| Maximum Pull (kg) | 2700 | 3400 | 3400 |
| Working load (kg) | 430 | 540 | 540 |
| Amps at Working Load (A) | 140 | - | - |
| Line Speed at Working Load (m/min) | 6 | 11 | 11 |
| Max Line Speed (m/min) | 8 | 11 | 11 |
| Net Weight with Drum (kg) | 115 | 115 | 95 |
| Hydraulic Pressure (bar) | - | - | 200 |
| Hydraulic Flow (lt/min) | - | - | 32 |

| TITAN | Model** | Code | Code | Code | |
|-------|---------|---------------------------------|--------|--------|--------|
| TITAN | Type A | 12 mm, ISO 4565 / 13mm, DIN 766 | 404724 | 600845 | 602423 |
| | | 14 mm, DIN 766 | 600072 | 600847 | 602424 |
| | Type B | 12 mm, ISO 4565 / 13mm, DIN 766 | 428938 | 600880 | 602468 |
| | | 14 mm, DIN 766 | 426415 | 600882 | 602469 |
| | Type C | 12 mm, ISO 4565 / 13mm, DIN 766 | 600895 | * | 602444 |

Construction

White Anodised Aluminium

| Motor Size | 2300 W | 3600 W |
|------------------------------------|--------|-----------|
| Power Supply (V) (Phase) | 24 | 230 (1Ph) |
| Maximum Pull (kg) | 2700 | 3400 |
| Working load (kg) | 430 | 540 |
| Amps at Working Load (A) | 140 | - |
| Line Speed at Working Load (m/min) | 6 | 11 |
| Max Line Speed (m/min) | 8 | 11 |
| Net Weight with Drum (kg) | 115 | 115 |
| Hydraulic Pressure (bar) | - | - |
| Hydraulic Flow (lt/min) | - | - |

| TITAN | Model** | Code | Code |
|-------|---------|---------------------------------|--------|
| TITAN | Type A | 12 mm, ISO 4565 / 13mm, DIN 766 | 600839 |
| | | 14 mm, DIN 766 | 602415 |
| | Type B | 12 mm, ISO 4565 / 13mm, DIN 766 | 600865 |
| | | 14 mm, DIN 766 | 600866 |
| | Type C | 12 mm, ISO 4565 / 13mm, DIN 766 | 600896 |

Available also in Type D & E.

For additional options on compatible gypsies, please check the relevant table. If you are interested in an alternative configuration not listed above or any other special product, please contact our team.

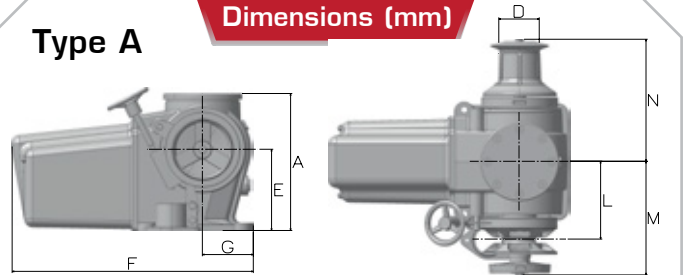
Product codes with * are available upon request.

**Windlass Configuration

| | |
|--------|--|
| Type A | Gypsy Starboard - Drum Portside |
| Type B | Gypsy Starboard - Gypsy Portside - Drum on top |
| Type C | Gypsy Starboard - Drum Portside - Drum on top |
| Type D | Gypsy Starboard - Drum on top |
| Type E | Gypsy Portside - Drum on top |
| Type F | Drum Starboard - Gypsy Portside |

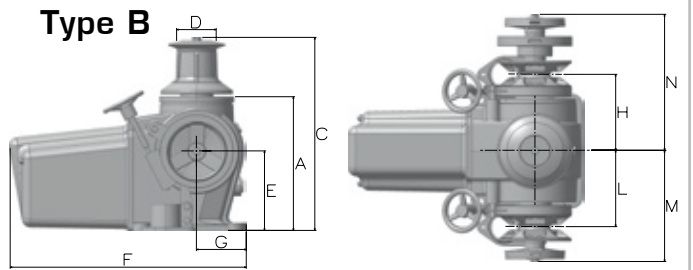
Type A

Dimensions (mm)



| Model | A | B | E | F | G | L | M | N |
|-----------|-----|------|-----|-----|-----|-----|-----|-----|
| 2300W | 330 | Ø104 | 193 | 590 | 120 | 185 | 270 | 290 |
| 3600W | | | | | | | | |
| Hydraulic | | | | | | | | |

Type B



| Model | A | C | D | E | F | G | H | L | M | N |
|-----------|-----|-----|------|-----|-----|-----|-----|-----|-----|-----|
| 2300W | 330 | 465 | Ø104 | 193 | 590 | 120 | 185 | 185 | 270 | 330 |
| 3600W | | | | | | | | | | |
| Hydraulic | | | | | | | | | | |

Combine with

Compatible Gypsies



| Code | Gypsy Size |
|--------|---------------------------|
| 630996 | 8 mm, ISO 4565 / DIN 766 |
| 631132 | 10 mm, DIN 766 |
| 636570 | 10 mm, ISO 4565 - 3/8" HT |
| 636572 | 12-13mm, DIN 766 |
| 631059 | 14mm |
| 631033 | 1/2" BBB |
| 631036 | 1/2" G40 |
| 631124 | 3/8" G40 |

Compatible Chains



| Code | Chain Size | Pack (m) |
|-------|--------------------------|----------|
| 72314 | 10mm, DIN 766 | 120 |
| 72753 | 10mm, ISO 4565 | 30 |
| 72755 | 12mm, ISO 4565 | 50 |
| 72408 | 14mm, ISO 4565 / DIN 766 | 200 |

More available packs (see pages 87)

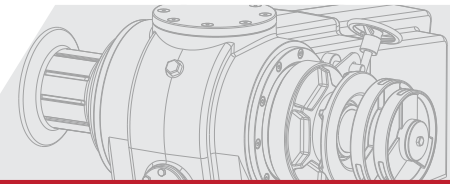
Optional Accessories

- Foot Switch
- Control Switch
- Circuit Breaker
- Chain Counter
- Hand Held Control
- Radio Control
- Chain Stopper



Please refer to accessories section for control and installation products (pages 76-89).

ERCOLE HORIZONTAL



Windlass

3500 W • 24V /
5500 W • AC / Hydraulic - 11cc

Type B -
White Anodised Aluminium



▲
Chain pipe included

Main Features

- Marine anodised aluminium body
- Available in white polyester coating
- Independent gypsy and drum operation
- Manual chain release
- Manual override
- IP67 motor cover

Standard Equipment

- Dual direction solenoid pack
- Handle
- Gypsy for chain
- QR code card for Instruction Manual

ERCOLE HORIZONTAL

3500 W • 24V / 5500 W • AC / Hydraulic - 11cc

Construction **White Anodised Aluminium**

| Motor Size | 3500 W | 5500 W | | Hydraulic - 11cc |
|------------------------------------|--------|-----------|-----------|------------------|
| Power Supply (V) (Phase) | 24 | 230 (1Ph) | 400 (3Ph) | - |
| Maximum Pull (kg) | 4500 | 6500 | 6500 | 6500 |
| Working load (kg) | 810 | 1550 | 1550 | 1550 |
| Amps at Working Load (A) | 120 | 17-23 | 9-14 | - |
| Line Speed at Working Load (m/min) | 8 | 12 | 12 | 12 |
| Max Line Speed (m/min) | 15 | 12 | 12 | 12 |
| Net Weight (kg) | 200 | 230 | 230 | 180 |
| Hydraulic Pressure (bar) | - | - | - | 200 |
| Hydraulic Flow (lt/min) | - | - | - | 40 |

| ERCOLE HORIZONTAL | Model** | Code | Code | Code | Code | |
|-------------------|---------|--------|--------|--------|--------|--------|
| | 14 mm | Type A | 403615 | * | * | 602509 |
| | | Type B | 220317 | 600246 | 600256 | 602512 |
| | | Type C | 403614 | * | * | 602515 |
| | | Type E | 600274 | * | * | * |
| 16 mm | Type D | 600282 | * | * | * | |

Available also in Type E & F.

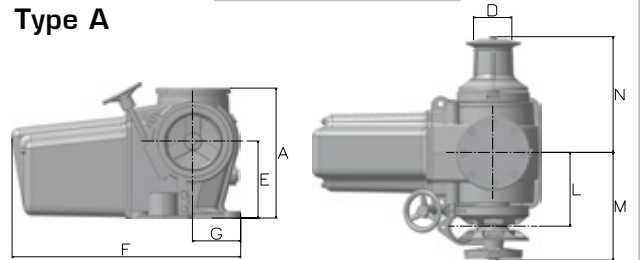
For additional options on compatible gypsies, please check below.

If you are interested in an alternative configuration not listed above or any other special product, please contact our team. Product codes with * are available upon request.

| **Windlass Configuration | Type A | Type B | Type C | Type D | Type E | Type F |
|--------------------------|---------------------------------|--|---|-------------------------------|------------------------------|---------------------------------|
| | Gypsy Starboard - Drum Portside | Gypsy Starboard - Gypsy Portside - Drum on top | Gypsy Starboard - Drum Portside - Drum on top | Gypsy Starboard - Drum on top | Gypsy Portside - Drum on top | Drum Starboard - Gypsy Portside |

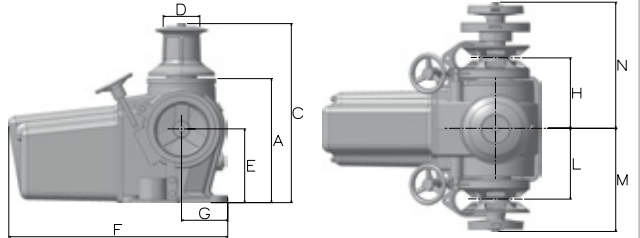
Dimensions (mm)

Type A



| Model | A | D | E | F | G | L | M | N |
|------------------|-----|------|-----|-----|-----|---------|-----|-----|
| 3500 W Hydraulic | 385 | Ø150 | 230 | 690 | 158 | 230-250 | 390 | 340 |

Type B



| Model | A | C | D | E | F | G | H | L | M | N |
|------------------|-----|-----|------|-----|-----|-----|---------|---------|-----|-----|
| 3500 W Hydraulic | 390 | 555 | Ø125 | 230 | 690 | 158 | 230-250 | 230-250 | 370 | 410 |



Compatible Gypsies

| Code | Gypsy Size | Code | Gypsy Size |
|--------|------------------|--------|----------------|
| 631019 | 10mm, ISO 4565 | 631113 | 20mm |
| 631039 | 12-13mm, DIN 766 | 631068 | 14 STUD LINK |
| 631065 | 14mm | 631092 | 16 STUD LINK |
| 631085 | 13mm, DIN 764 | 631098 | 17,5 STUD LINK |
| 631082 | 16mm, ISO 4565 | 636381 | 19mm |
| 631088 | 16mm, DIN 766 | 631110 | 20 STUD LINK |
| 631101 | 18mm, ISO 4565 | 631053 | 1/2" STUD LINK |
| 631095 | 18mm, DIN 766 | 631056 | 13 ITALMET |

Kits

| Code | Description |
|--------|------------------|
| 418423 | KIT A - Seals |
| 418472 | KIT B - Screws |
| 418494 | KIT C - Pins |
| 418555 | KIT D - Circlips |

Combine with

Optional Accessories

- Foot Switch
- Control Switch
- Circuit Breaker
- Chain Counter
- Hand Held Control
- Radio Control
- Chain Stopper



Please refer to accessories section for control and installation products (pages 76-89).

SUPER ERCOLE

Horizontal Windlass

3500 W • 24V /
5500 W • AC / Hydraulic - 11cc

Type B -
White Anodised Aluminium



RIA
Approved



Main Features

- Marine anodised aluminium body
- Available in white polyester coating
- Independent gypsy and drum operation
- Manual chain release
- Manual override
- IP67 motor cover

Standard Equipment

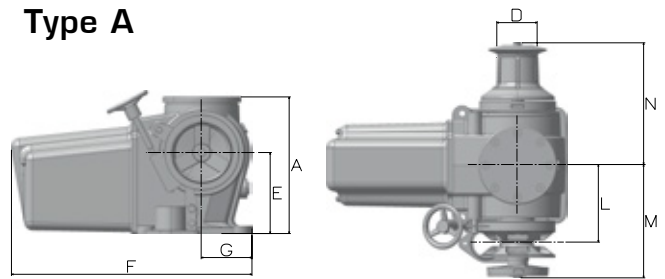
- Dual direction solenoid pack
- Handle
- Gypsy for chain
- QR code card for Instruction Manual

SUPER ERCOLE Horizontal Windlass

3500 W • 24V / 5500 W • AC
Hydraulic - 11cc

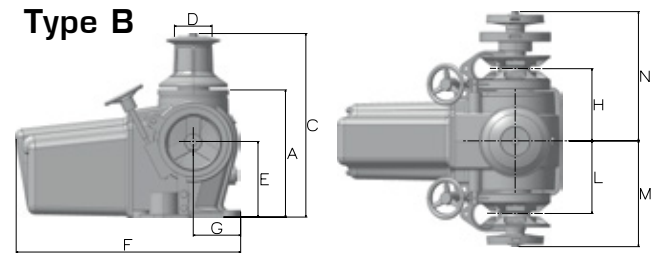
Dimensions (mm)

Type A



| Model | A | D | E | F | G | L | M | N |
|-----------|-----|------|-----|-----|-----|---------|-----|-----|
| 2300W | | | | | | | | |
| 3600W | 450 | Ø150 | 260 | 870 | 200 | 255-280 | 450 | 375 |
| Hydraulic | | | | | | | | |

Type B



| Model | A | C | D | E | F | G | H | L | M | N |
|-----------|-----|-----|------|-----|-----|-----|---------|---------|-----|-----|
| 2300W | | | | | | | | | | |
| 3600W | 450 | 610 | Ø150 | 260 | 870 | 200 | 255-270 | 255-280 | 450 | 375 |
| Hydraulic | | | | | | | | | | |

Construction

White Anodised Aluminium

| Motor Size | 3500 W | 5500 W | Hydraulic - 11cc |
|------------------------------------|--------|--------|------------------|
| Power Supply (V) | 24 | 400 | - |
| Maximum Pull (kg) | 5000 | 7000 | 7000 |
| Working load (kg) | 870 | 1670 | 1670 |
| Amps at Working Load (A) | 190 | - | - |
| Line Speed at Working Load (m/min) | 8 | 12 | 12 |
| Max Line Speed (m/min) | 15 | 12 | 12 |
| Net Weight (kg) | 200 | 235 | 180 |
| Hydraulic Pressure (bar) | - | - | 200 |
| Hydraulic Flow (lt/min) | - | - | 40 |

| SUPER ERCOLE | 16 mm | Model** | Code | Code | Code |
|--------------|-------|---------|--------|--------|--------|
| | | Type A | 404957 | 602501 | 602488 |
| | | Type B | 426414 | 602504 | 602491 |
| | | Type C | 602498 | 600668 | 602494 |
| | | Type D | 600671 | * | * |

Available also in Type E & F.

For additional options on compatible gypsies, please check below.

If you are interested in an alternative configuration not listed above or any other special product, please contact our team. Product codes with * are available upon request.

**Windlass Configuration

| | |
|--------|--|
| Type A | Gypsy Starboard - Drum Portside |
| Type B | Gypsy Starboard - Gypsy Portside - Drum on top |
| Type C | Gypsy Starboard - Drum Portside - Drum on top |
| Type D | Gypsy Starboard - Drum on top |
| Type E | Gypsy Portside - Drum on top |
| Type F | Drum Starboard - Gypsy Portside |

Combine with

Compatible Gypsies



| Code | Gypsy Size |
|--------|------------------|
| 630986 | 5/8" HT |
| 631019 | 10mm, ISO 4565 |
| 631039 | 12-13mm, DIN 766 |
| 631065 | 14mm |
| 631085 | 13mm, DIN 764 |
| 631082 | 16mm, ISO 4565 |
| 631088 | 16mm, DIN 766 |
| 631101 | 18mm, ISO 4565 |
| 631095 | 18mm, DIN 766 |

| Code | Gypsy Size |
|--------|----------------|
| 631113 | 20mm |
| 631068 | 14 STUD LINK |
| 631092 | 16 STUD LINK |
| 631098 | 17,5 STUD LINK |
| 636381 | 19mm |
| 631110 | 20 STUD LINK |
| 631053 | 1/2" STUD LINK |
| 631056 | 13 ITALMET |

Kits

| Code | Description |
|--------|------------------|
| 427806 | KIT A - Seals |
| 418476 | KIT B - Screws |
| 418500 | KIT C - Pins |
| 418575 | KIT D - Circlips |

Optional Accessories

- Foot Switch
- Control Switch
- Circuit Breaker
- Chain Counter
- Hand Held Control
- Radio Control
- Chain Stopper



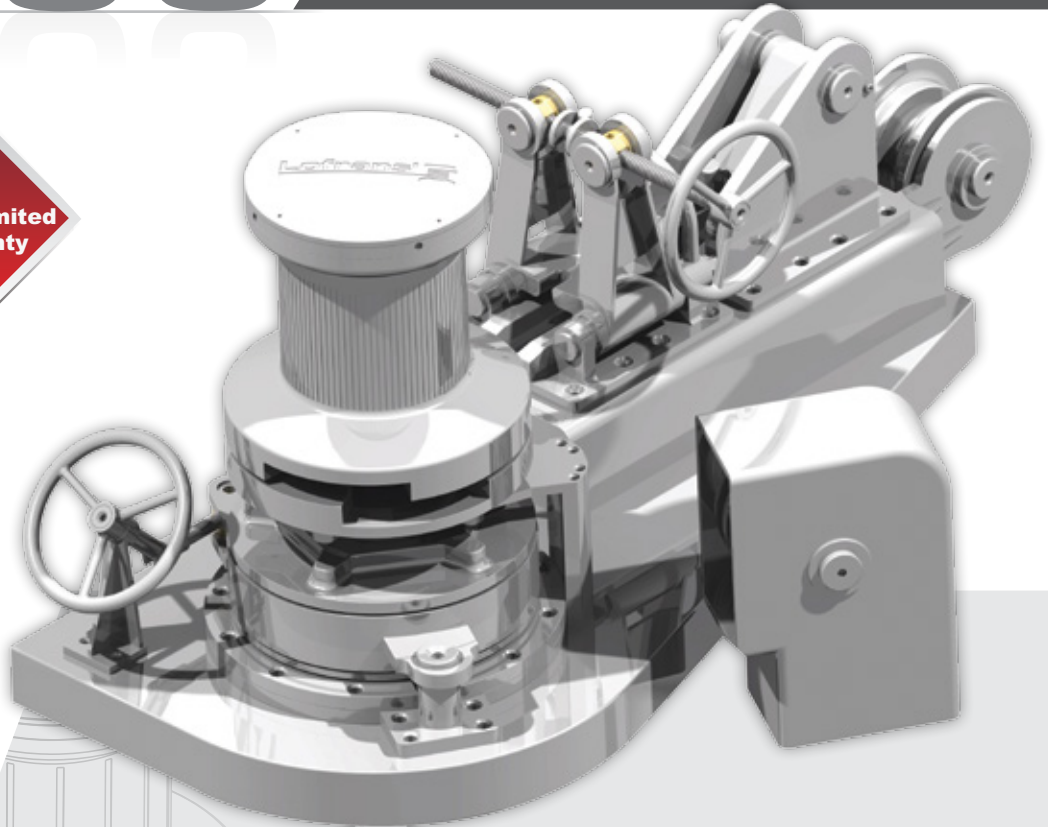
Please refer to Deck Hardware & Accessories section for control and installation products (pages 76-89).

ZEUS

Vertical Windlass



Meets the specifications of:

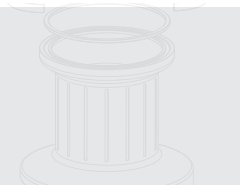


Main Features

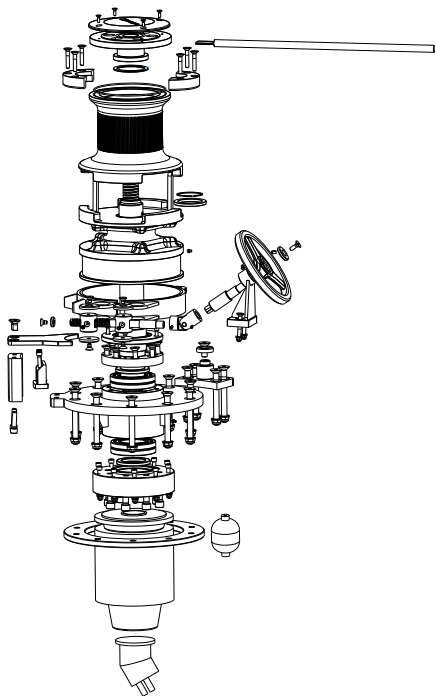
- Full customisation of all parts to meet your needs for boats from 150 to 425 feet / 45 to 130 metres
- Marine AISI 316L Stainless Steel visible parts (upper deck windlass section)
- Independent operation of gypsy and capstan
- High-torque planetary gearbox
- 42 mm stud-link chain & 12.000 kg max. pull
- AC or HYD high-torque motors of the latest generation for all marine conditions



The ULTIMATE ANCHORING SOLUTION for MEGA YACHTS



| Model Type ZEUS | Gypsy For Stud-link Chain (mm) | Control Box | Line Speed at W.L. | Max Line Speed | Maximum Pull (kg) | Working Load (kg) | Motor Size (kW) |
|-----------------|--------------------------------|-----------------------------------|--------------------|----------------|-------------------|-------------------|-----------------|
| 5500 AC / HYD | 20 | Switch-board available separately | 11 m/min | 19 m/min | 5000 | 2100 | 5,5 |
| 5500 AC / HYD | 22 | | | | 5400 | 3000 | 7,5 |
| 5500 AC / HYD | 24 | | | | 6000 | 3600 | 9 |
| 7500 AC / HYD | 24 | | | | 7700 | 5500 | 11 |
| 7500 AC / HYD | 26 | | | | 8000 | 5500 | 11 |
| 7500 AC / HYD | 28 | | | | 8500 | 7000 | 15 |
| 9500 AC / HYD | 28 | | | | 9200 | 7000 | 15 |
| 9500 AC / HYD | 30 | | | | 9200 | 7000 | 15 |
| 9500 AC / HYD | 32 | | | | 10500 | 9000 | 18,2 |
| 12000 AC / HYD | 32 | | | | 12600 | 10200 | 22 |
| 12000 AC / HYD | 34 | | | | 12600 | 10200 | 22 |



CUSTOMISED SOLUTIONS

- Dedicated Project Manager
- Highly-skilled R&D team
- Direct & effective communication
- Customised parts

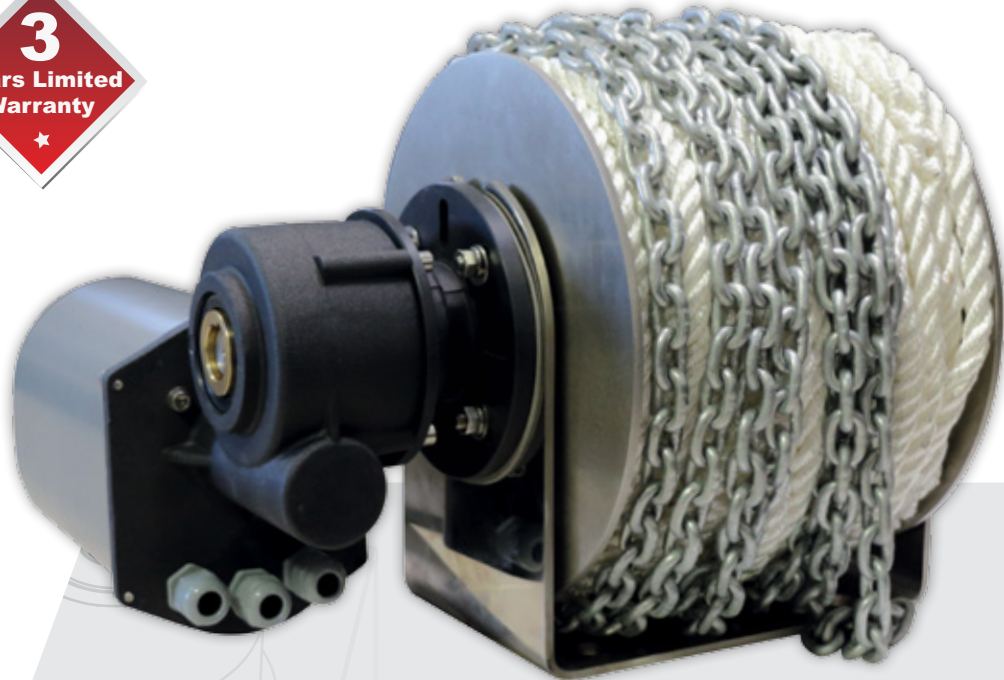


Capstans

DRUM WINCH

Multifunctional Winches

1000 W



Main Features

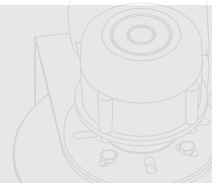
- Fast and easy rope & chain anchoring for boats up to 40 feet / 12 metres
- Marine AISI 316 Stainless Steel drum, base & backing plate
- Anodised aluminium gear case
- Heavy-duty electric motor and gearbox
- IP67 motor cover
- Gearbox with 8 adjustable positions

Standard Equipment

- Drum winch assembly
- Reversing solenoid
- Rocker switch
- Circuit breaker
- Backing plate
- Fixing hardware
- 70 metres of rope (Ø12mm 3-strand)
- 8 metres of chain (Ø6mm)

DRUM WINCH Multifunctional Winches

1000 W



| Construction | AISI 316 Stainless Steel |
|---|--------------------------|
| Motor Size | 1000 W |
| Power Supply (V) | 12 |
| Maximum Pull-Empty Drum (Kg) | 900 |
| Maximum Pull-Full Drum (Kg) | 220 |
| Amps at Working Load (A) | 135 |
| Max. Retrieval Rate (m/min) | 45 |
| Max. Fall Rate (m/min) | 50 |
| Rope-chain Capacity (m) (12mm nylon three strand rope / 6mm chain) | 70 / 8 |
| Net Weight (Kg) | 19 |
| Code | 636690 |

Dimensions (mm)

| Model | A | B | C | D |
|--------|-----|-----|-----|-----|
| 1000 W | 396 | 295 | 421 | 416 |

Control Boxes

Circuit Breakers

Included Ropes

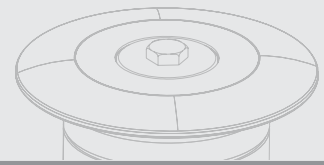
Compatible Chains

Control Switch

Please refer to Deck Hardware & Accessories section for control and installation products (pages 76-89).

T500

T700



Capstan



Chrome
Plated

Anodised
Aluminium



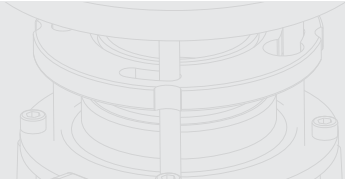
Main Features

- Marine anodised aluminium & chrome plated construction
- IP67 motor cover
- Marine anodised aluminium gearbox
- Control box included in the package

Standard Equipment

- Dual direction solenoid pack
- QR code card for Instruction Manual

T500-T700 Capstan



| Construction | Chrome Plated | | |
|------------------------------------|---------------|---------------|---------------|
| Model | T500 | T700 | |
| Motor Size | 500 W | 700 W | |
| Power Supply (V) | 12 | 12 | 24 |
| Maximum Pull (kg) | 670 | 850 | 900 |
| Working Load (kg) | 85 | 115 | 125 |
| Amps at Working Load (A) | 75 | 110 | 50 |
| Line Speed at Working Load (m/min) | 23 | 20 | 23 |
| Max Line Speed (m/min) | 26 | 30 | 30 |
| Net Weight (kg) | 11 | 15 | 15 |
| Code | 409130 | 220006 | 418159 |

| Construction | Anodised Aluminium | | |
|------------------------------------|--------------------|---------------|---------------|
| Model | T500 | T700 | |
| Motor Size | 500 W | 700 W | |
| Power Supply (V) | 12 | 12 | 24 |
| Maximum Pull (kg) | 630 | 850 | 900 |
| Working Load (kg) | 85 | 115 | 125 |
| Amps at Working Load (A) | 75 | 110 | 50 |
| Line Speed at Working Load (m/min) | 23 | 20 | 23 |
| Max Line Speed (m/min) | 26 | 30 | 30 |
| Net Weight (kg) | 9 | 15 | 15 |
| Code | 409563 | 411129 | 600779 |

Dimensions (mm)

| Model | A | B | C | D | G | H | I | J | L |
|-------------------------|-----|-------|-----|-----|----|-----|------|-----|-----|
| T500 | 90 | 18-30 | 111 | Ø60 | 55 | 236 | Ø114 | 110 | 121 |
| T700 Anodised Aluminium | 135 | 25-40 | 150 | Ø92 | 62 | 256 | Ø156 | 134 | 157 |
| T700 Chrome Plated | | | | | | | Ø160 | | |

Combine with

KIT A - SEALS

| Code | For Capstans |
|--------|--------------|
| 418410 | T500 |
| 418411 | T700 - T1000 |

KIT C - PINS

| Code | For Capstans |
|--------|--------------|
| 418483 | T500 |
| 418486 | T700 |

KIT B - SCREWS

| Code | For Capstans |
|--------|--------------|
| 418446 | T500 |
| 418410 | T500 |
| 418448 | T700 |

KIT D - CIRCLIPS

| Code | For Capstans |
|--------|--------------|
| 418512 | T500 |
| 418513 | T700 - T1000 |

Optional Accessories

- Foot Switch
- Control Switch
- Circuit Breaker
- Hand Held Control
- Radio Control

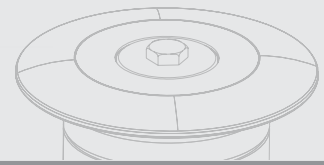


Please refer to Deck Hardware & Accessories section for control and installation products (pages 76-89).

T1000

T1500

T1700



Capstan

Chrome Plated



Anodised Aluminium



Main Features

- Marine anodised aluminium & chrome plated construction
- IP67 motor cover
- Marine anodised aluminium gearbox
- Control box included in the package

Standard Equipment

- Dual direction solenoid pack
- QR code card for Instruction Manual

T1000-T1500-T1700 Capstan

| Construction | Chrome Plated | | | | | |
|------------------------------------|---------------|--------|--------|--------|--------|--------|
| | T1000 | | T1500 | | T1700 | |
| Model | 1000 W | | 1500 W | | 1700 W | |
| Motor Size | 1000 W | | 1500 W | | 1700 W | |
| Power Supply (V) | 12 | 24 | 12 | 24 | 12 | 24 |
| Maximum Pull (kg) | 1000 | 1060 | 1200 | 1270 | 1600 | 1695 |
| Working Load (kg) | 150 | 160 | 165 | 165 | 200 | 215 |
| Amps at Working Load (A) | 135 | 70 | 150 | 75 | 180 | 90 |
| Line Speed at Working Load (m/min) | 20 | 23 | 17 | 19 | 14 | 15 |
| Max Line Speed (m/min) | 40 | 40 | 40 | 40 | 32 | 32 |
| Net Weight (kg) | 21 | 21 | 27 | 27 | 30 | 30 |
| Code | 417946 | 187324 | 220014 | 418161 | 472407 | 187326 |

| Construction | Anodised Aluminium | | | | | |
|------------------------------------|--------------------|--------|--------|--------|--------|--------|
| | T1000 | | T1500 | | T1700 | |
| Model | 1000 W | | 1500 W | | 1700 W | |
| Motor Size | 1000 W | | 1500 W | | 1700 W | |
| Power Supply (V) | 12 | 24 | 12 | 24 | 12 | 24 |
| Maximum Pull (kg) | 1000 | 1060 | 1200 | 1270 | 1600 | 1695 |
| Working Load (kg) | 150 | 160 | 165 | 165 | 200 | 215 |
| Amps at Working Load (A) | 135 | 70 | 150 | 75 | 180 | 90 |
| Line Speed at Working Load (m/min) | 20 | 23 | 17 | 19 | 14 | 15 |
| Max Line Speed (m/min) | 40 | 40 | 40 | 40 | 32 | 32 |
| Net Weight (kg) | 16 | 16 | 18 | 18 | 25 | 25 |
| Code | 409564 | 409567 | 600058 | 600062 | 600066 | 600069 |

Dimensions (mm)

| Model | A | B | C | D | G | H | I | J | L |
|--------------------------|-----|-------|-----|------|----|-----|------|-----|-----|
| T1000 Anodised Aluminium | 135 | 25-40 | 150 | Ø91 | 62 | 256 | Ø156 | 134 | 157 |
| T1000 Chrome Plated | | | | | | | Ø160 | | |
| T1500 Anodised Aluminium | 162 | 50-70 | 160 | Ø91 | 73 | 236 | Ø156 | 165 | 157 |
| T1500 Chrome Plated | | | | Ø104 | | | Ø191 | | |
| T1700 | 162 | 50-70 | 165 | Ø104 | 90 | 300 | Ø191 | 127 | 140 |

Combine with

KIT A - SEALS

| Code | For Capstans |
|--------|---------------|
| 418411 | T700 - T1000 |
| 418422 | T1500 - T1700 |

KIT C - PINS

| Code | For Capstans |
|--------|---------------|
| 418487 | T1500 - T1700 |

KIT D - CIRCLIPS

| Code | For Capstans |
|--------|---------------|
| 418513 | T700 - T1000 |
| 418514 | T1500 - T1700 |

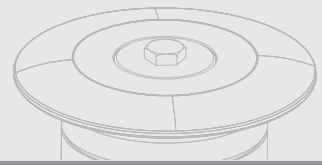
Optional Accessories

- Foot Switch
- Control Switch
- Circuit Breaker
- Hand Held Control
- Radio Control

Please refer to Deck Hardware & Accessories section for control and installation products (pages 76-89).

T2000

T2500



Capstan



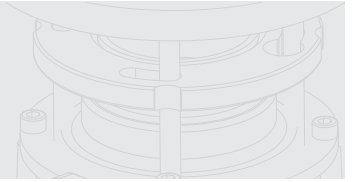
Main Features

- Chrome plated construction
- Heavy-duty electric motor
- Marine anodised aluminium gearbox

Standard Equipment

- Dual direction solenoid pack
- QR code card for Instruction Manual

T2000-T2500 Capstan



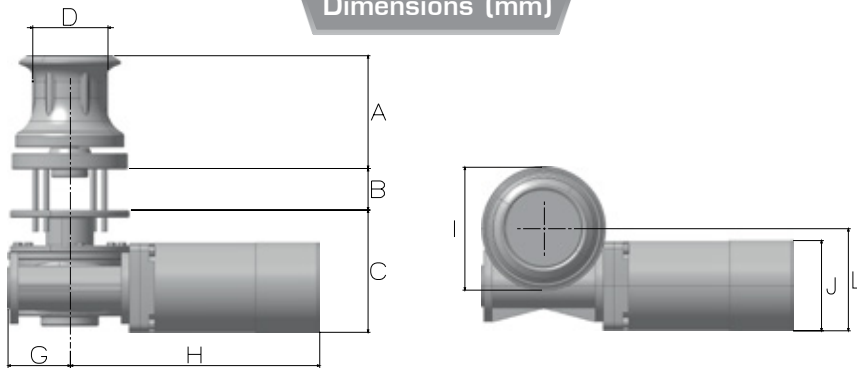
Construction Material

Chrome Plated

| Model | T2000 | | | T2500 | | | |
|------------------------------------|---------------|---------------|-----------------|---------------|---------------|-----------------|---------------|
| | 2200 W | 2300 W | Hydraulic - 9cc | 2200 W | 2700 W | Hydraulic - 9cc | |
| Motor Size | | | | | | | |
| Type** | CW | CW | CCW | CW | CW | CW | |
| Power Supply (V) | 230-400 | 24 | 24 | - | 230-400 | 24 | - |
| Maximum Pull (kg) | 2200 | 2000 | 2000 | 2500 | 2200 | 2400 | 2500 |
| Working Load (kg) | 595 | 545 | 545 | 680 | 595 | 650 | 680 |
| Amps at Working Load (A) | - | 180 | 180 | - | - | 210 | - |
| Line Speed at Working Load (m/min) | 15 | 15 | 15 | 15 | 15 | 15 | 15 |
| Max Line Speed (m/min) | 15 | 31 | 31 | 15 | 15 | 31 | 15 |
| Net Weight (kg) | 52 | 52 | 52 | 40 | 52 | 53 | 40 |
| Hydraulic Pressure (bar) | - | - | - | 200 | - | - | 200 |
| Hydraulic Flow (lt/min) | - | - | - | 32 | - | - | 32 |
| Code | 600071 | 404967 | 600729 | 602140 | 600070 | 476239 | 602168 |

**cw: the capstan pulls clockwise. ccw: the capstan pulls counter clockwise

Dimensions (mm)



| Model | A | B | C | D | G | H | I | J | L |
|-------|-----|--------|-----|------|-----|-----|------|------|-----|
| T2000 | 190 | 60-90 | 212 | Ø125 | 105 | 420 | Ø191 | Ø152 | 176 |
| T2500 | 191 | 90-130 | 212 | Ø125 | 105 | 420 | Ø230 | Ø152 | 172 |

KITS

| Code | Description |
|--------|------------------|
| 418399 | KIT A - Seals |
| 418488 | KIT C - Pins |
| 418515 | KIT D - Circlips |

Combine with

Optional Accessories

- Foot Switch
- Control Switch
- Circuit Breaker
- Hand Held Control
- Radio Control

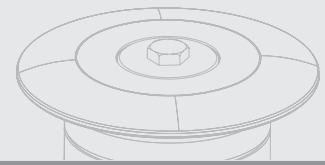


Please refer to Deck Hardware & Accessories section for control and installation products (pages 76-89).

ST1000

ST1500

ST1700



Capstan
Stainless Steel



Main Features

- Marine AISI 316L Stainless Steel construction
- IP67 motor cover
- Marine anodised aluminium gearbox
- Control box included in the package

Standard Equipment

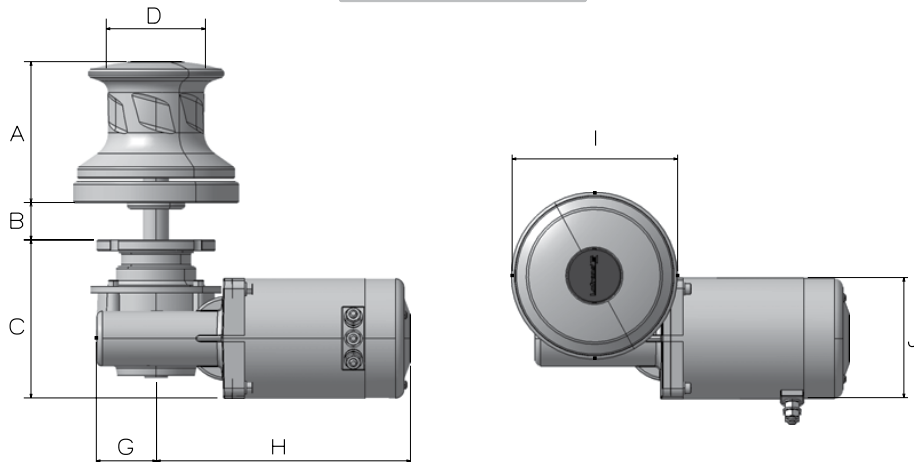
- Dual direction solenoid pack
- QR code card for Instruction Manual

ST1000-ST1500-ST1700

Capstan

| Construction | AISI 316L Stainless Steel | | |
|------------------------------------|---------------------------|--------|--------|
| Model | ST1000 | ST1500 | ST1700 |
| Motor Size | 1000 W | 1500 W | 1700 W |
| Power Supply (V) | 24 | 24 | 24 |
| Maximum Pull (kg) | 1060 | 1270 | 1695 |
| Working Load (kg) | 160 | 165 | 215 |
| Amps at Working Load (A) | 70 | 75 | 90 |
| Line Speed at Working Load (m/min) | 23 | 19 | 15 |
| Max Line Speed (m/min) | 40 | 40 | 32 |
| Net Weight (kg) | 21 | 27 | 30 |
| Code | 636297 | 636298 | 636299 |

Dimensions (mm)



| Model | A | B | C | D | G | H | I | J | L |
|--------|-----|-------|-----|-----|----|-----|------|------|-----|
| ST1000 | 134 | 25-40 | 150 | Ø91 | 62 | 256 | Ø157 | Ø134 | 157 |
| ST1500 | 164 | 50-70 | 160 | Ø97 | 73 | 236 | Ø170 | Ø165 | 157 |
| ST1700 | 164 | 50-70 | 165 | Ø97 | 90 | 300 | Ø170 | Ø127 | 140 |

Optional Accessories

- Foot Switch
- Control Switch
- Circuit Breaker
- Hand Held Control
- Radio Control

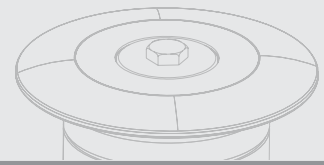


Combine with

Please refer to Deck Hardware & Accessories section for control and installation products (pages 76-89).

ST2000

ST2500



Capstan
Stainless Steel



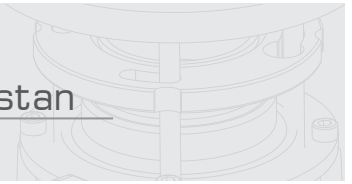
Main Features

- Marine AISI 316L Stainless Steel construction
- Heavy-duty electric motor
- Marine anodised aluminium gearbox

Standard Equipment

- Dual direction solenoid pack
- QR code card for Instruction Manual

ST2000-ST2500 Capstan



| Construction | AISI 316L Stainless Steel | | | | |
|------------------------------------|---------------------------|---------------|---------------|---------------|-----------------|
| Model | ST2000 | | ST2500 | | |
| Motor Size | 2300 W | | 2200 W | 2700 W | Hydraulic - 9cc |
| Type** | cw | ccw | cw | cw | cw |
| Power Supply (V) | 24 | 24 | 230-400 | 24 | - |
| Maximum Pull (kg) | 2000 | 2000 | 2200 | 2400 | 2500 |
| Working Load (kg) | 545 | 545 | 595 | 650 | 680 |
| Amps at Working Load (A) | 180 | 180 | - | 210 | - |
| Line Speed at Working Load (m/min) | 15 | 15 | 15 | 15 | 15 |
| Max Line Speed (m/min) | 31 | 31 | 15 | 31 | 15 |
| Net Weight (kg) | 52 | 52 | 52 | 53 | 40 |
| Hydraulic Pressure (bar) | - | - | - | - | 200 |
| Hydraulic Flow (lt/min) | - | - | - | - | 32 |
| Code | 636300 | 636301 | 636302 | 636303 | 636304 |

** cw: the capstan pulls clockwise. ccw: the capstan pulls counter clockwise

Dimensions (mm)

| Model | A | B | C | D | G | H | I | J | L |
|--------|-----|-------|-----|------|-----|-----|------|------|-----|
| ST2000 | 187 | 60-90 | 212 | Ø110 | 105 | 420 | Ø190 | Ø152 | 176 |
| ST2500 | 194 | 60-90 | 212 | Ø110 | 105 | 420 | Ø255 | Ø152 | 172 |

Optional Accessories

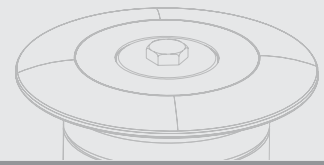
- Foot Switch
- Control Switch
- Circuit Breaker
- Hand Held Control
- Radio Control

Combine with

Please refer to Deck Hardware & Accessories section for control and installation products (pages 76-89).

ST3000

ST4000



Capstan

Stainless Steel



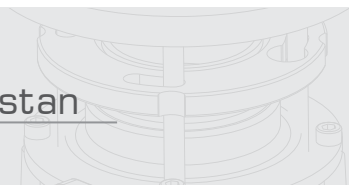
Main Features

- Marine AISI 316L Stainless Steel construction
- Heavy-duty electric motor
- Marine anodised aluminium gearbox

Standard Equipment

- Dual direction solenoid pack
- QR code card for Instruction Manual

ST3000-ST4000 Capstan

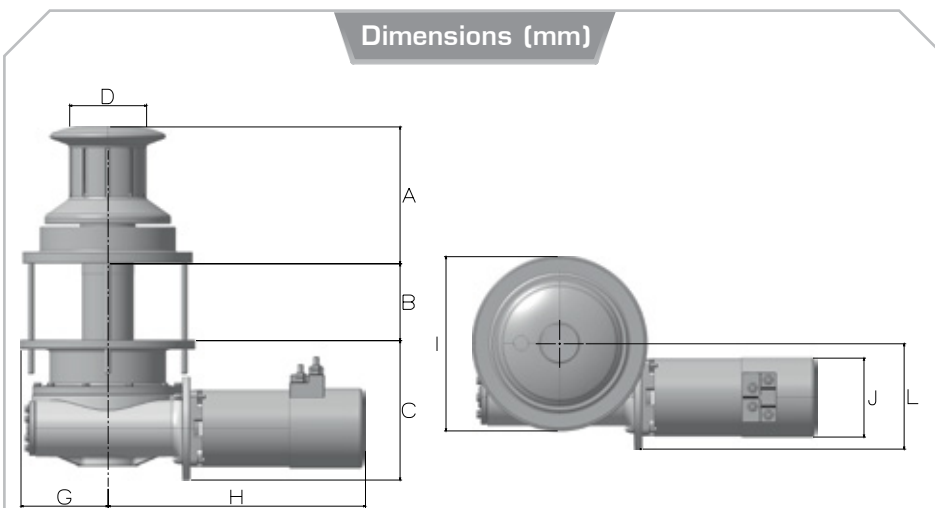


Construction

AISI 316L Stainless Steel

| Model | ST3000 | | | | ST4000 | | | |
|------------------------------------|---------------|---------------|---------------|-----------------|---------------|---------------|---------------|------------------|
| | 2200 W | 3000 W | 3600 W | Hydraulic - 9cc | 3500 W | 4000 W | 5000 W | Hydraulic - 11cc |
| Power Supply (V) | 400 | 24 | 400 | - | 24 | 400 | 400 | - |
| Maximum Pull (kg) | 3000 | 3000 | 3500 | 2500 | 4500 | 5000 | 5500 | 5500 |
| Working Load (kg) | 815 | 600 | 950 | 680 | 690 | 850 | 1550 | 1550 |
| Amps at Working Load (A) | - | 210 | 210 | - | 215 | - | - | - |
| Line Speed at Working Load (m/min) | 16 | 14 | 14 | 17 | 10 | 10 | 11 | 11 |
| Max Line Speed (m/min) | 16 | 27 | 27 | 17 | 15 | 10 | 11 | 11 |
| Net Weight (kg) | 75 | 75 | 75 | 40 | 120 | 120 | 105 | 105 |
| Hydraulic Pressure (bar) | - | - | - | 200 | - | - | - | 200 |
| Hydraulic Flow (lt/min) | - | - | - | 32 | - | - | - | 40 |
| Code | 600767 | 602187 | 602196 | 602189 | 600077 | 600771 | 423284 | 636041 |

Dimensions (mm)



| Model | A | B | C | D | G | H | I | J | L |
|--------|-----|-------|-----|------|-----|-----|------|------|-----|
| ST3000 | 206 | 60-90 | 190 | Ø150 | 142 | 436 | Ø264 | Ø152 | 190 |
| ST4000 | 267 | 150 | 272 | Ø150 | 170 | 502 | Ø330 | Ø154 | 206 |

Combine with

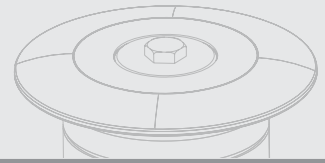
Optional Accessories

- Foot Switch
- Control Switch
- Circuit Breaker
- Hand Held Control
- Radio Control



Please refer to Deck Hardware & Accessories section for control and installation products (pages 76-89).

CETO



Recovery Capstan

3
Years Limited
Warranty



Main Features

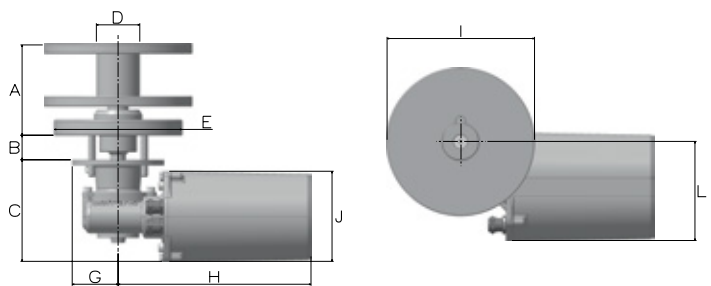
- Ideal for professional fishermen to retrieve clam fishing baskets
- Marine anodised aluminium construction
- Heavy-duty electric motor and gearbox
- IP67-rated motor cover with high protection from humidity & sea water
- Strong aluminium drum able to contain approximately 20 metres of fine rope
- The drum is driven by using a high torque worm gear box with the gear case made in black marine anodised aluminium
- The gears are made of bronze and steel in order to withstand the high stress during the intensive use

Standard Equipment

- Dual direction solenoid pack
- QR code card for Instruction Manual

| Construction | Anodised Aluminium |
|------------------------------------|--------------------|
| Motor Size | 1000 W |
| Power Supply (V) | 12 |
| Maximum Pull (kg) | 850 |
| Working Load (kg) | 175 |
| Amps at Working Load (A) | 165 |
| Line Speed at Working Load (m/min) | 15 |
| Max Line Speed (m/min) | 15 |
| Net Weight (kg) | 16 |
| Code | 635999 |

Dimensions (mm)



| Model | A | B | C | D | G | H | I | J | L |
|--------|-----|-------|-----|-----|------|-----|------|-----|-----|
| 1000 W | 180 | 25-40 | 150 | Ø60 | 72,5 | 256 | Ø106 | 134 | 157 |

Recovery Capstan

TENDER WINCH



Main Features

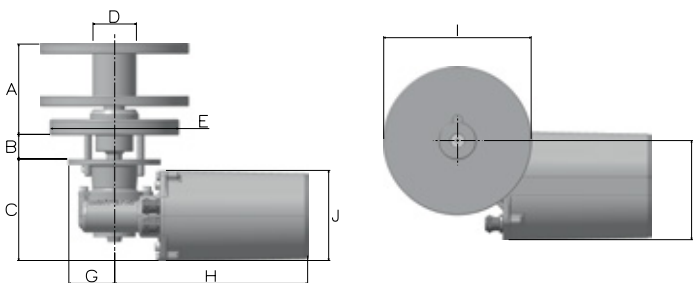
- Designed to recover a small tender or a jet ski
- Marine anodised aluminium construction
- Heavy-duty electric motor and gearbox
- IP67-rated motor cover with high protection from humidity & sea water
- Strong aluminium drum able to contain the necessary belt
- The drum is driven by using a high torque worm gear box with the gear case made in black marine anodised aluminium
- The gears are made of bronze and steel in order to withstand the high stress during the intensive use



Standard Equipment

- Dual direction solenoid pack
- QR code card for Instruction Manual

Dimensions (mm)



| Model | A | B | C | D | E | G | H | I | J | L |
|---------------|-----|-------|-----|-----|------|----|-----|------|-----|-----|
| 500 W | 96 | 18-30 | 124 | Ø40 | Ø114 | 56 | 236 | Ø114 | 110 | 121 |
| 700 W / 800 W | 110 | 18-30 | 124 | Ø53 | Ø156 | 56 | 236 | Ø156 | 110 | 121 |

Construction

Anodised Aluminium

| Motor Size | 500 W | 700 W | 800 W |
|------------------------------------|--------|--------|--------|
| Power Supply (V) | 12 | 24 | 12 |
| Maximum Pull (kg) | 425 | 550 | 625 |
| Working Load (kg) | 85 | 110 | 125 |
| Amps at Working Load (A) | 75 | 45 | 80 |
| Line Speed at Working Load (m/min) | 15 | 15 | 15 |
| Max Line Speed (m/min) | 20 | 20 | 20 |
| Net Weight (kg) | 9 | 9 | 9 |
| Code | 030054 | 602123 | 602122 |

LFR 200

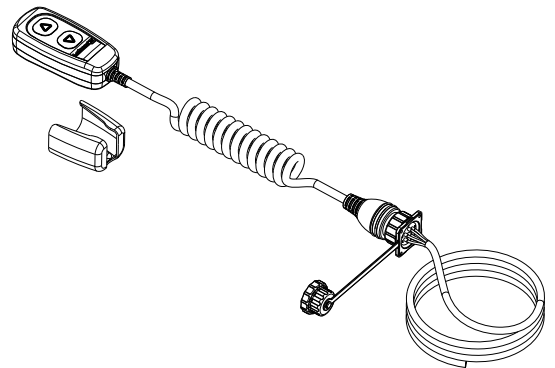


Hand Held Remote Control



- Designed for remote operation of various electrically operated equipment on board such as windlasses, cranes, gangways, sea ladders etc.
- Made of high-strength glass reinforced PP combined with a rubber gasket to ensure advanced durability, perfect watertightness, and a secure grip
- Ergonomic design
- Solid and durable construction
- IP67-rated with waterproof plug & socket
- Flexible cable extensible up to 4 metres (approximately) for maximum freedom on board during anchoring manoeuvring
- Socket & plug with pre-wired cables for easy and trouble-free installation
- Parallel connection
- 2 buttons (up-down)
- Support bracket for stowing

| | |
|-----------------------------------|-----------------|
| Code | 60047 |
| Command Transmission | Wire |
| Number of Buttons | 2 |
| Voltage (V DC) | 10 - 30 |
| Operating Temperature (°C) | From -10 to +60 |
| Protection Rating* | IP67 |
| Contacts Amperage (A) | 3 |
| Weight (g) | 610 |
| Dimensions (mm) | 106 x 50 x 32 |



*When installed

LFR 400

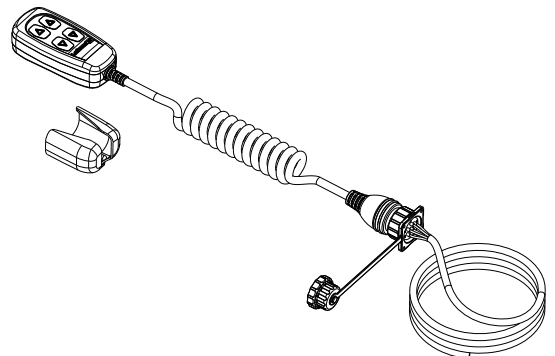


Hand Held Remote Control



- Designed for remote operation of various electrically operated equipment onboard such as windlasses, cranes, gangways, sea ladders etc.
- Made of high-strength glass reinforced PP combined with a rubber gasket to ensure advanced durability, perfect watertightness, and a secure grip
- Ergonomic design
- Solid and durable construction
- IP67-rated with waterproof plug & socket
- Flexible cable extensible up to 4 metres (approximately) for maximum freedom on board during anchoring manoeuvring
- Socket & plug with pre-wired cables for easy and trouble-free installation
- Parallel connection
- 4 buttons for operating two windlasses or other onboard equipment
- Support bracket for stowing

| | |
|-----------------------------------|-----------------|
| Code | 60048 |
| Command Transmission | Wire |
| Number of Buttons | 4 |
| Voltage (V DC) | 10 - 30 |
| Operating Temperature (°C) | From -10 to +60 |
| Protection Rating* | IP67 |
| Contacts Amperage (A) | 2 |
| Weight (g) | 618 |
| Dimensions (mm) | 106 x 50 x 32 |



*When installed

THETIS 1002

THE ORIGINAL WINDLASS

Hand Held Remote Control

- Elegant and functional design
- Soft rubber casing that allows for anti-slip grip
- IP66-rated with waterproof plug & socket IP67-rated
- Flexible cable extensible up to 4 metres (approximately) for maximum freedom on board during anchoring manoeuvring
- With reinforced covers & buttons
- Inversion polarity protection
- Parallel connection
- 2 buttons (up-down)
- Support bracket for stowing

| | |
|-----------------------------------|-----------------|
| Code | 73631 |
| Command Transmission | Wire |
| Number of Buttons | 2 |
| Voltage (V DC) | 12 - 24 |
| Operating Temperature (°C) | From -10 to +60 |
| Protection Rating* | IP66 |
| Max. Contacts Amperage (A) | 2 |
| Weight (g) | 580 |
| Dimensions (mm) | 155 x 65 x 45 |

*When installed



THETIS 5003

Hand Held Remote Control Chain Counter

- Specially designed to provide full control in anchoring
- Soft rubber casing that allows for anti-slip grip
- IP66-rated with waterproof plug & socket IP67-rated
- Flexible cable extensible up to 4 metres (approximately) for maximum freedom on board during anchoring manoeuvring
- Advanced microprocessor that offers a series of advantages for full anchoring control
- With reinforced covers & buttons
- Chain speed indicator / mooring length in meters or feet
- Voltage indicator
- Up alarm sensor
- Switch on button / Key tones adjustment
- High vision LCD display / Backlit display screen / Eight level of contrast
- Six language menu (IT, EN, FR, DE, ES, GR)
- Able to control free fall windlasses
- Parallel connection
- Support bracket for stowing

| | |
|-----------------------------------|-----------------|
| Code | 73632 |
| Command Transmission | Wire |
| Number of Buttons | 3 |
| Voltage (V DC) | 12 - 24 |
| Operating Temperature (°C) | From -10 to +60 |
| Protection Rating* | IP66 |
| Max. Contacts Amperage (A) | 2 |
| Weight (g) | 710 |
| Dimensions (mm) | 155 x 65 x 45 |

*When installed



THETIS 7003



Radio Control Chain Counter



- Without cable ties, plug or panels & with rechargeable battery
- With reinforced covers & buttons
- Chain speed indicator / mooring length in meters or feet
- Voltage indicator
- Up alarm sensor
- Switch on button / Key tones adjustment
- High vision LCD display / Backlit display screen / Eight level of contrast
- Six language menu (IT, EN, FR, DE, ES, GR)
- Able to control free fall windlasses
- Parallel connection
- USB cable included
- Support bracket for stowing



| Code | 73633 |
|----------------------------|-----------------------------|
| Command Transmission | Remote |
| Number of Buttons | 3 (Transmitter) |
| Voltage (V DC) | 12 - 24 (Receiver) |
| Operating Temperature (°C) | From -10 to +60 |
| Protection Rating* | IP66 (Transmitter) |
| Max. Contacts Amperage (A) | 2 (Receiver) |
| Weight (g) | 480 |
| Dimensions (mm) | 155 x 65 x 45 (Transmitter) |

*When installed

IRIS II

Panel Chain Counter



- Flybridge chain counter
- Technologically advanced
- Elegant and ergonomic design
- Suitable for all types of boat cockpits
- Advanced microprocessor
- With different operations allowing for optimum anchoring
- New larger display
- Chain speed indicator / mooring length in meters or feet
- Voltage indicator
- Up alarm sensor
- Switch on button / Key tones adjustment
- High-vision LCD display 3" / Backlit display screen / Eight level of contrast
- Six language menu (IT, EN, FR, DE, ES, GR)
- Able to control free fall Windlasses
- Parallel connection



| Code | 73633 |
|----------------------------|---------------------------------|
| Command Transmission | Wire |
| Number of Buttons | 3 |
| Voltage (V DC) | 12 - 24 |
| Operating Temperature (°C) | From -10 to +60 |
| Protection Rating* | IP67 |
| Max. Contacts Amperage (A) | 2 |
| Weight (g) | 500 |
| Dimensions (mm) | 110 x 105 x 15 (5 flat version) |

*When installed

Radio Remote Control

- Designed to operate with Lofrans' windlasses
- Can also be used to operate other on-board equipment, such as thrusters, passerelles, cranes, etc.
- Transmitter IP67 rated
- Supports up to 8 independently controlled channels
- Each receiver can switch 4 channels (12/24 V - 2 A)
- Each transmitter can handle 2 receivers (8 channels)
- Digital recognition avoids accidental activation of other system
- Zero power consumption when in standby mode (transmitter)
- Easy to install and set-up, simple to use



| Code | 312976 | 312977 |
|----------------------------|--|------------------------------|
| Description | Transmitter & Receiver (EU) | Transmitter & Receiver (USA) |
| Frequency (MHz) | 868 | 915 |
| Number of Buttons | 8 (Transmitter) | |
| Voltage (V DC) | 12 - 24 (Receiver) | |
| Operating Temperature (°C) | From -10 to +60 | |
| IP Protection Rating | 67 (Transmitter) | |
| Max. Contacts Amperage (A) | 2 (Receiver) | |
| Weight (g) | 310 | |
| Dimensions (mm) | 114 x 60 x 22 (transmitter) / 126 x 78 x 23 (receiver) | |



Mini Remote Control

- Designed to operate with Lofrans' windlasses
- Can also be used to operate other on-board equipment, such as thrusters, passerelles, cranes, etc.
- Supports up to 4 independently control channels (12/24V - 10A)
- Zero power consumption when in standby (transmitter)
- Transmitter IP67 rated



| Code | 636305 |
|----------------------------|---|
| Description | Transmitter & Receiver (EU/USA) |
| Frequency (MHz) | 433 |
| Number of Buttons | 4 |
| Voltage (V) | 12 - 24 (Receiver) 3 (Transmitter) |
| Operating Temperature (°C) | From -10 to +60 |
| Protection Rating | IP67 |
| Max. Contacts Amperage (A) | 10 |
| Weight (g) | 31 (Transmitter) / 95 (Receiver) |
| Dimensions (mm) | 71,8 x 38 x 17,7 (Transmitter) / 100,5 x 61 x 25 (Receiver) |



Touch Panel Up Down

2
Years Limited
Warranty



- Low profile anchor windlass touch panel with LED backlit buttons
- It is designed with safety in mind, having a two button activation mode in order to secure any accidental activation

- Its secure design is enhanced by the 3-minute auto deactivation as well as the buzzer notification on deactivation
- The round back flange plays a key role to the easy installation on board
- It comes in elegant black colour
- IP67 water/dust rating (front panel)
- A truly reliable windlass control panel



| | |
|-------------------|----------------|
| Code | 74317 |
| Compatible with | All Windlasses |
| Protection Rating | IP67 |
| Dimensions (mm) | 65 x 65 |

Control Switch

2
Years Limited
Warranty



TYPE C

- Modern and practical design
- Watertight, reliable construction
- Supplied with the apposite case for simple and safe installation

Code | 187338



TYPE L

- Made of a fixing plaque and a three-position switch (Up-Off-Down)
- Usually installed on the cockpit

Code | 404728

Foot Switch

Inox



- Easy-to-install switch, which works simply, by pressing the button with the foot
- Base made of inox
- Cover made of composite material to prevent accidental engagement

- Button made of special marine rubber, able to withstand UV rays and the marine environment
- Available in UP and DOWN versions

| Code | 636075 | 636074 | 600012 | 600011 | 602121 |
|----------------------------|-----------------|------------|--------------|------------|-------------------------|
| Description | Black / Inox | Red / Inox | Black / Grey | Red / Grey | Blue (wash down) / Grey |
| Voltage (V DC) | 12 - 24 | | | | |
| Operating Temperature (°C) | From -10 to +60 | | | | |
| Protection Rating | IP67 | | | | |
| Max. Contacts amperage (A) | 5 | | | | |
| Weight (g) | 250 | | 100 | | |
| Dimensions (mm) | 80 x 95 x 20 | | | | |

Circuit Breaker

- Essential component of the electric plant
- Protects from very dangerous short circuits
- Protects the electric motor of the windlass
- Interrupts tension to windlass when desired
- In case of short circuit, the intervention is immediate
- Supplied with an elegant plaque for fixing and a LED light

Concerning the electric motor, a specific intervention curve has been studied in cooperation with E-T-A Germany. It is possible to re-activate the circuit breaker at the end of the intervention.



| | | 35 A | 40 A | 70 A | 80 A | 100 A | 125 A |
|------|-----------|--------|--------|--------|--------|--------|--------|
| Code | Thermal | 187331 | - | 187332 | - | 187333 | 187334 |
| | Hydraulic | - | 600029 | - | 630616 | 600028 | - |

Thermal Circuit Breaker Surface Mounted

- Essential component of the electric plant
- Protects from very dangerous short circuits
- Protects the electric motor of the windlass
- Interrupts tension to windlass when desired
- In case of short circuit, the intervention is immediate



| | 40 A | 70 A | 100 A | 110 A | 120 A | 150 A | 200 A |
|------|--------|--------|--------|--------|--------|--------|--------|
| Code | 636087 | 636088 | 636089 | 636090 | 636091 | 636092 | 636601 |

Control Box Solenoids for DC

- Electric unit made up of two remote control switches enclosed in a special container in order to prevent marine corrosion
- The entire unit has been designed with a view to simplifying and speeding up the various electrical connections
- For this purpose, there is no need to open and/or pierce the container, as all the terminals and the panel for the electrical connections are perfectly accessible from the outside
- Outer construction in self-extinguishing polyester resin, resistant to shock and marine corrosion



| Code | 600018 | 600019 | 600020 | 602590 | 600021 | 600022 | 419245 |
|---------------------|----------|----------|-----------|----------|-----------|----------|--------|
| Number of Terminals | 3 | 3 | 3 | 4 | 4 | 4 | 4 |
| Power (V) | 12 | 24 | 24 | 12 | 12 | 24 | 24 |
| Motor Size (W) | 500-1700 | 500-1700 | 1700-2300 | 500-1000 | 1000-1700 | 500-1700 | 3500 |
| Protection Rating | IP56 | | | | | | |

Switchboard Up/Down



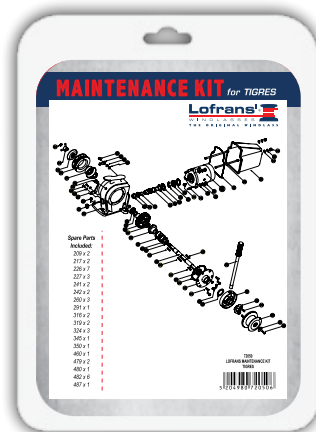
- For all Lofrans' AC windlasses
- Can be powered by 110V, 230V or 400V (single phase or three phase), for power up to 7.5 KW
- Can supply low tension starters with inverter and special cabling
- Each switchboard provides power supply to one windlass

| Code | Volt | Kw | PH | Hz |
|--------|------|-----|----|-------|
| 600095 | 400 | 2,2 | 3 | 50/60 |
| 600096 | 400 | 4,0 | 3 | 50/60 |
| 600676 | 440 | 2,2 | 3 | 50/60 |
| 600684 | 230 | 3,6 | 1 | 50/60 |
| 600688 | 440 | 4,0 | 3 | 50/60 |
| 600693 | 400 | 5,5 | 3 | 50/60 |
| 600698 | 230 | 2,2 | 3 | 50/60 |

Maintenance Kit

KEEP YOUR LOFRANS' AS GOOD AS NEW!

Every Lofrans' windlass has its own maintenance kit in order to remain as good as new.



Exploded Diagram & Contents

| Code | For Windlass |
|-------|---------------------------|
| 72036 | X0 |
| 72037 | X1 |
| 72038 | X2 & PROJECT 1000 |
| 72039 | X2 ALU |
| 72040 | X3, X3 ALU & PROJECT 1500 |
| 72046 | ROYAL |
| 72047 | DORADO |
| 72048 | KOBRA & CAYMAN |
| 72050 | TIGRES |
| 72051 | FALKON |
| 72045 | ATLAS |
| 74853 | GECKO |

Kits for Windlasses & Capstans



**KIT A
SEALS**

| Code | For Model |
|--------|-------------------|
| 474013 | X4 & PROJECT 2000 |
| 418428 | ERCOLE VERTICAL |
| 418403 | TITAN |
| 418423 | ERCOLE |
| 427806 | SUPER ERCOLE |
| 418410 | T500 |
| 418411 | T700 - T1000 |
| 418422 | T1500 - T1700 |
| 418399 | T2000 - T2500 |



**KIT B
SCREWS**

| Code | For Model |
|--------|-------------------|
| 474012 | X4 & PROJECT 2000 |
| 418475 | ERCOLE VERTICAL |
| 418457 | TITAN |
| 418472 | ERCOLE |
| 418476 | SUPER ERCOLE |
| 418446 | T500 |
| 418450 | T1500 |
| 418451 | T2000-T2500 |
| 418448 | T700 |



**KIT C
PINS**

| Code | For Model |
|--------|-------------------|
| 474011 | X4 & PROJECT 2000 |
| 418499 | ERCOLE VERTICAL |
| 418493 | TITAN |
| 418494 | ERCOLE |
| 418500 | SUPER ERCOLE |
| 418483 | T500 |
| 418487 | T1500 - T1700 |
| 418486 | T700 |



**KIT D
CIRCLIPS**

| Code | For Model |
|--------|-------------------|
| 474010 | X4 & PROJECT 2000 |
| 418556 | ERCOLE VERTICAL |
| 418553 | TITAN |
| 418555 | ERCOLE |
| 418575 | SUPER ERCOLE |
| 418512 | T500 |
| 418513 | T700 - T1000 |
| 418514 | T1500 - T1700 |
| 418515 | T2000 - T2500 |



**KIT F
FINGERS**

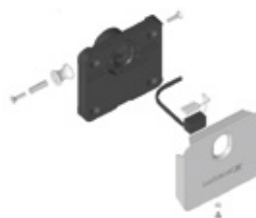
| Code | Material | For Model |
|--------|------------|--------------------------|
| 474023 | Nylon | X1, X2 & PROJECT 1000 |
| 474017 | Nylon 1500 | X3 & PROJECT 1500 |
| 601047 | Inox | X1 & X2 |
| 602105 | Inox | X3 |
| 35036 | Aluminium | DORADO |
| 632116 | Aluminium | LION |



**KIT S
MAGNETIC
SENSORS**

| Code | For Model |
|--------|-------------------------------|
| 474053 | X1, X2 & X3 |
| 600033 | X4 |
| 474048 | for all horizontal windlasses |
| 601291 | ERCOLE VERTICAL |

KITS FOR GECKO



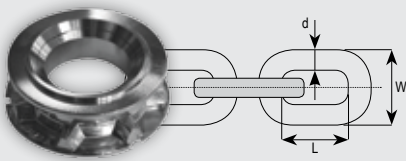
| Code | Description |
|--------|------------------------|
| 636646 | AUTOMATIC STOP SUPPORT |
| 636647 | MAGNET CASE |
| 636648 | FINGER |
| 636649 | FREE FALL CAP |

GYPSIES

For Vertical Windlasses



Chain Identification



| CHAIN d | Inside Length L (mm) | Outside Width W (mm) |
|-------------------|-------------------------|-------------------------|
| 6 ISO | 18 | 20 |
| 7 ISO | 21 | 24 |
| 8 ISO | 24 | 27 |
| 10 ISO | 30 | 34 |
| 12 ISO | 36 | 40 |
| 14 ISO | 42 | 47 |
| 6 DIN 766 | 18.5 | 20 |
| 7 1/4" DIN 766 | 22 | 23 |
| 8 - 5/16" DIN 766 | 24 | 26 |
| 10 - 3/8" DIN 766 | 28 | 34 |
| 13 - 1/2" DIN 766 | 36 | 44 |

| For Windlass | Chain Size | Gypsy Code |
|--------------|------------------------------|------------|
| X1 & SX1 | 6mm ISO 4565 / DIN 766 | 630970 |
| | 7mm ISO 4565 1/4" G40 | 630980 |
| | 8mm ISO 4565 / DIN 766 | 630999 |
| X2 & SX2 | 6mm ISO 4565 / DIN 766 | 630953 |
| | 8mm ISO 4565 / DIN 766 | 630949 |
| | 10mm ISO 4565 | 630951 |
| | 10mm DIN 766 | 630955 |
| X3 & SX3 | 8mm ISO 4565 / DIN 766 | 630957 |
| | 10mm ISO 4565 | 630959 |
| | 10mm DIN 766 | 630966 |
| | 12mm ISO 4565 - 13mm DIN 766 | 630961 |
| SX3.5 | 10mm DIN 766 | 631026 |
| | 10mm DIN 766 10-3/8 HT | 631024 |
| | 12-13mm DIN 766 | 636573 |
| | 14 mm | 631074 |
| X4 & SX4 | 8mm ISO 4565 / DIN 766 | 630996 |
| | 1/2" G40 | 631036 |
| | 10mm DIN 766 3/8" BBB | 631132 |
| | 10mm ISO 4565 3/8" HT | 636570 |
| | 12-13mm DIN 766 | 636572 |
| | 1/2" BBB | 631033 |
| SX5 | 14mm | 631059 |
| | 12-13mm DIN 766 | 631039 |
| | 14mm | 631065 |
| SX7 | 14 STUD LINK | 631071 |
| | 12-13mm DIN 766 | 631042 |
| | 14mm | 631065 |
| | 16mm ISO 4565 | 631082 |
| | 16mm DIN 766 | 631088 |

| For Windlass | Chain Size | Gypsy Code |
|-----------------|------------------------------|------------|
| ERCOLE VERTICAL | 1/2" STUD LINK | 631053 |
| | 10mm ISO 4565 | 631019 |
| | 12-13mm DIN 766 | 631039 |
| | 13 ITALMET | 631056 |
| | 13mm DIN 764 | 631085 |
| | 14mm | 631065 |
| | 14 STUD LINK | 631068 |
| | 14,5 UNI 4417 | 630989 |
| | 16mm ISO 4565 | 631082 |
| | 16mm DIN 766 | 631088 |
| | 16 STUD LINK | 631092 |
| | 17,5 STUD LINK | 631098 |
| | 18mm DIN 766 | 631095 |
| 18mm ISO 4565 | 631101 | |
| 19mm | 636381 | |
| PROJECT 1000 | 6mm ISO 4565 / DIN 766 | 630953 |
| | 8mm ISO 4565 / DIN 766 | 630949 |
| | 10mm ISO 4565 | 630951 |
| | 10mm DIN 766 | 630955 |
| PROJECT 1500 | 8mm ISO 4565 / DIN 766 | 630957 |
| | 10mm ISO 4565 | 630951 |
| | 10mm ISO 4565 | 630959 |
| | 10mm DIN 766 | 630966 |
| | 12mm ISO 4565 - 13mm DIN 766 | 630961 |
| PROJECT 2000 | 5/16" HT | 631129 |
| | 7/16" HT | 630992 |
| | 1/2" G40 | 631036 |
| | 10mm DIN 766 3/8" BBB | 631132 |
| | 10mm ISO 4565 3/8" HT | 631022 |
| | 12-13mm DIN766 | 631031 |
| | 14mm | 631059 |

GYPSIES

For Horizontal Windlasses

| For Windlass | Chain Size | Gypsy Code |
|----------------|----------------------------|------------|
| ROYAL | 6mm ISO 4565 / DIN 766 | 630968 |
| | 7mm ISO 4565 - 1/4" G40 | 630978 |
| | 8mm ISO 4565 / DIN 766 | 630994 |
| | 10mm ISO 4565 3/8" HT | 631011 |
| | 10mm DIN 766 | 631118 |
| | 5/16" HT | 631077 |
| | 3/8" BBB | 631120 |
| | 3/8" PC | 631122 |
| LION 1000 | 6mm ISO 4565 / DIN 766 | 631005 |
| | 7mm ISO 4565 | 631007 |
| | 8mm ISO 4565 / DIN 766 | 636643 |
| DORADO | 6mm ISO 4565 / DIN 766 | 630974 |
| | 7mm ISO 4565 1/4" G40 | 630984 |
| | 8mm ISO 4565 / DIN 766 | 636642 |
| RAZZA | 6mm ISO 4565 / DIN 766 | 630974 |
| | 7mm ISO 4565 1/4" G40 | 630984 |
| | 8mm ISO 4565 / DIN 766 | 636642 |
| GECKO | Only ROPE gypsy | 634877 |
| CAYMAN & KOBRA | 6mm ISO 4565 / DIN 766 | 630968 |
| | 7mm ISO 4565 1/4" G40 | 630978 |
| | 8mm ISO 4565 / DIN 766 | 630994 |
| | 10mm ISO 4565 3/8" HT | 631011 |
| | 10mm DIN 766 | 631118 |
| | 5/16" HT | 631077 |
| | 3/8" BBB | 631120 |
| | 3/8" PC | 631122 |

| For Windlass | Chain Size | Gypsy Code |
|--------------|---------------------------------|------------|
| TIGRES | 5/16" HT | 631077 |
| | 3/8" BBB | 631120 |
| | 3/8" PC | 631122 |
| | 6mm ISO 4565 / DIN 766 | 630968 |
| | 7mm ISO 4565 1/4" G40 | 630978 |
| | 8mm ISO 4565 / DIN766 | 630994 |
| | 10mm ISO 4565 3/8" HT | 631011 |
| | 10mm DIN 766 | 631118 |
| | 12mm ISO 4565 - 13mm DIN 766 | 631028 |
| | 5/16" HT | 631129 |
| FALKON | 7/16" HT | 636571 |
| | 1/2" G40 | 631036 |
| | 10mm ISO 4565 - 3/8" HT | 636570 |
| | 10mm DIN 766 - 3/8" BBB | 631132 |
| | 12-13mm DIN766 | 636572 |
| | 13mm DIN 764 | 631050 |
| | 14mm | 631059 |
| | 1/2" BBB | 631033 |
| | 3/8" G40 | 631124 |
| | 3/8" G40 | 631124 |
| TITAN | 1/2" G40 | 631036 |
| | 10mm ISO 4565 3/8" HT | 636570 |
| | 10mm DIN 766 3/8" BBB | 631132 |
| | 12-13mm DIN 766 | 636572 |
| | 8mm ISO 4565 / DIN 766 | 630996 |
| | 1/2" BBB | 631033 |
| | 14mm | 631059 |

| For Windlass | Chain Size | Gypsy Code |
|-------------------|-----------------|------------|
| ERCOLE HORIZONTAL | 1/2" STUD LINK | 631053 |
| | 12-13mm DIN 766 | 631039 |
| | 13 ITALMET | 631056 |
| | 14mm | 631065 |
| | 16mm ISO 4565 | 631082 |
| | 16mm DIN 766 | 631088 |
| | 16 STUD LINK | 631092 |
| | 17,5 STUD LINK | 631098 |
| | 18mm ISO 4565 | 631101 |
| | 19mm | 636381 |
| | 14 STUD LINK | 631068 |
| | 20 STUD LINK | 631110 |
| | 1/2" STUD LINK | 631053 |
| SUPER ERCOLE | 13 ITALMET | 631056 |
| | 20mm | 631113 |
| | 5/8" HT | 630986 |
| | 10mm ISO 4565 | 631019 |
| | 12-13mm DIN 766 | 631039 |
| | 14mm | 631065 |
| | 13mm DIN 766 | 631085 |
| | 16mm ISO 4565 | 631082 |
| | 16mm DIN 766 | 631088 |
| | 16 STUD LINK | 631092 |
| | 18mm DIN 766 | 631095 |
| | 18 STUD LINK | 631098 |
| | 18mm ISO 4565 | 631101 |
| 19 STUD LINK | 636381 | |

CHAIN STOPPERS & ROLLERS

The chain stopper is installed between the windlass and the bow roller in order to take the load off the windlass, either when the yacht is anchored or tensioning the anchor chain when the anchor is stowed. Windlasses which have two gypsies or a gypsy and a drum, need the chain stopper in order to isolate the one gypsy and either work with the other gypsy or with the drum.

Chain Stoppers

- Increased safety by blocking the anchor chain
- Made of AISI 316L Stainless Steel
- To be installed between the windlass & the bow roller in order to take the load off the windlass



For chain 8/ 10mm ISO/DIN

Code | 636257

Available for
Vertical Windlasses
X 1, X2, X3, SX 1, SX2,
SX3, SX3.5

For chain 10/ 12mm ISO/DIN

Code | 636604

Available for
Vertical Windlasses
X2, X3, X4, SX2, SX3, SX3.5,
SX4, SX5, ERCOLE

For chain 12/ 13/ 14/ 16mm ISO/DIN

Code | 72191

Available for
Vertical Windlasses
X3, X4, SX3, SX3.5, SX4,
SX5, ERCOLE

Available for
Horizontal Windlasses
FALKON, TITAN, ERCOLE,
SUPER ERCOLE



Chain Roller-Stopper with Tensioner



- Increased safety by holding and blocking the chain & the anchor at the same time
- Integrated devils claw for taking up the chain tension off the windlass
- Made of AISI 316L Stainless Steel
- To be installed between the windlass & the bow roller in order to take the load off the windlass

For chain 14/ 16mm ISO/DIN/Studlink

Code | 72192

Available for Vertical Windlass:
ERCOLE

Available for Horizontal Windlasses:
FALKON, TITAN, ERCOLE,
SUPER ERCOLE

Chain Roller

For chain 10/ 12mm ISO & 3/ 14/ 16mm DIN

Code | 636532

- It works as a guide for the chain and the anchor when being lowered or raised, ensuring optimum performance
- Made of AISI 316L Stainless Steel
- To be installed close to the windlass

Available for Vertical Windlasses:
X2, X3, X4, SX2, SX3, SX3.5, SX4, SX5,
ERCOLE

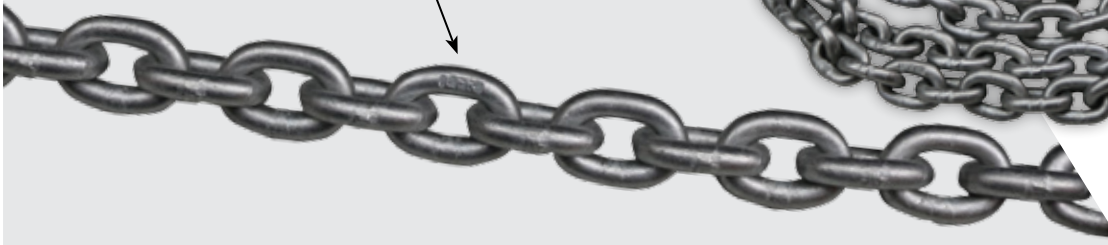
Available for Horizontal Windlasses:
FALKON, TITAN, ERCOLE, SUPER ERCOLE



CHAINS

Hot Dip Galvanized • Calibrated

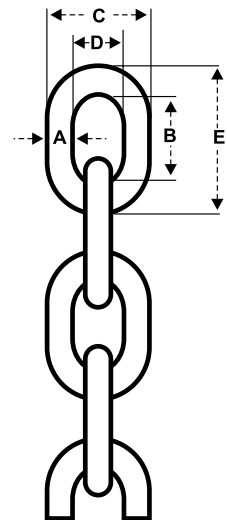
- Steel grade 40
- Hot Dip Galvanized
- Extended quality testing
- Certificate of Analysis for every drum included
- Lofrans' Authenticity Check -"LFR" engraved every 30 cm



| Code | 72312 | 723121 | 72749 | 72750 | 72313 | 723131 | 72751 | 72752 | 72314 | 723141 |
|--------------------|--------------------|------------|-------|-------|--------------------|------------|-------|-------|-------------|------------|
| Type | ISO 4565 / DIN 766 | | | | ISO 4565 / DIN 766 | | | | DIN 766 | |
| A (mm) | 6 | | | | 8 | | | | 10 | |
| B (mm) | 18,5 | | | | 24 | | | | 28 | |
| C (mm) | 20 | | | | 27,5 | | | | 34 | |
| D (mm) | 8 | | | | 11,5 | | | | 14 | |
| E (mm) | 30,5 | | | | 40 | | | | 48 | |
| Weight / m (kg) | 0,8 | | | | 1,42 | | | | 2,2 | |
| Breaking Load (kg) | 2400 | | | | 4300 | | | | 6750 | |
| Available Pack (m) | Carton Drum | Pallet Box | Bag | Bag | Carton Drum | Pallet Box | Bag | Bag | Carton Drum | Pallet Box |
| | 120 | 400 | 30 | 50 | 120 | 400 | 30 | 50 | 120 | 300 |

| Code | 72315 | 723151 | 72753 | 72754 | 72316 | 723161 | 72755 | 72408 | 72409 |
|--------------------|-------------|------------|-------|-------|-------------|------------|-------|------------|------------|
| Type | ISO 4565 | | | | ISO 4565 | | | DIN 766 | |
| A (mm) | 10 | | | | 12 | | | 14 | 16 |
| B (mm) | 30 | | | | 36 | | | 41,5 | 45 |
| C (mm) | 34,5 | | | | 39,6 | | | 47,4 | 54,6 |
| D (mm) | 14,5 | | | | 15,6 | | | 19,4 | 22,6 |
| E (mm) | 50 | | | | 60 | | | 69,5 | 77 |
| Weight / m (kg) | 2,14 | | | | 3,23 | | | 4,37 | 5,72 |
| Breaking Load (kg) | 6750 | | | | 9700 | | | 13230 | 17280 |
| Available Pack (m) | Carton Drum | Pallet Box | Bag | Bag | Carton Drum | Pallet Box | Bag | Pallet Box | Pallet Box |
| | 120 | 300 | 30 | 50 | 120 | 300 | 50 | 200 | 200 |

Dimensions (mm)





Carton Drum

Available Packs



Pallet Box



Bag

WITH THE EXPERIENCE AND QUALITY OF
Lofrans!
 WINDLASSES

CHAIN PIPES

for SX Series - Vertical Windlasses



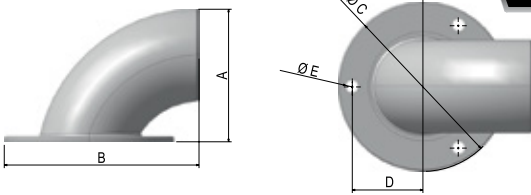
Stainless Steel

- Ensuring the smooth movement of the chain from and to the chain locker
- Marine AISI 316 Stainless Steel construction
- Mirror-polished finish
- Iconic Italian design
- Compatible with our SX series

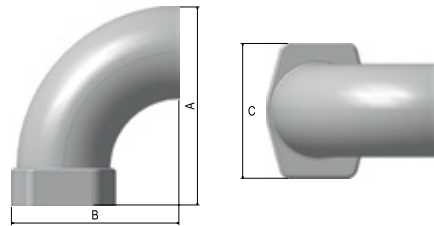


| Code | 636431 | 636311 | 636312 | 636313 | 636314 |
|--------------|--------|-----------|--------|--------|--------|
| For Windlass | SX1 | SX2 & SX3 | SX3,5 | SX4 | SX5 |

Dimensions (mm)



| Model | Code | A | B | C | D | E |
|---------------|--------|-----|-----|------|------|-------|
| For SX1 | 636431 | 68 | 102 | Ø95 | 38,5 | Ø8,5 |
| For SX2 & SX3 | 636311 | 86 | 127 | Ø110 | 46 | Ø8,5 |
| For SX3,5 | 636312 | 114 | 165 | Ø140 | 55 | Ø10,5 |
| For SX4 | 636313 | 125 | 163 | Ø140 | 55 | Ø10,5 |



| Model | Code | A | B | C |
|---------|--------|-----|-------|-----|
| For SX5 | 636314 | 191 | 161,5 | 130 |

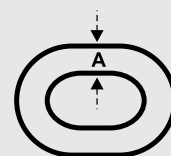
CABO ROPE

for chain rope use

3-strand with Chain Connector, Nylon, White



| Code | 72319 | 72320 | 72321 | 72322 | 72323 | 72324 |
|------------------------|-------|-------|-------|-------|-------|-------|
| Rope Diameter (mm) | 12 | | 14 | | 16 | |
| Length (m) | 30 | 60 | 90 | 30 | 60 | 60 |
| Ring Diameter - A (mm) | 6 | | 8 | | 10 | |
| Breaking load (kg) | 2300 | | 2940 | | 3640 | |



Chain Connector

Available option with assembled Lofrans' Chain

WINCH HANDLES

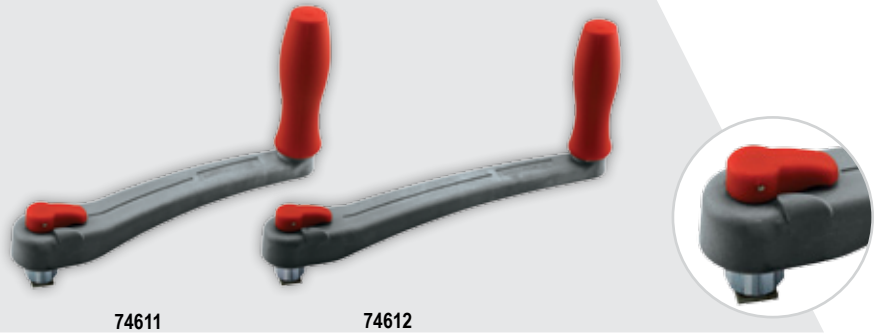
Durable • Lightweight • Easy to handle

Designed to operate efficiently with the minimum effort required

Glass reinforced PA

- Upgraded locking feature for ergonomic use of lock & unlock position

| Code | Description | Length (cm) |
|-------|-------------|-------------|
| 74611 | With lock | 20 |
| 74612 | | 25 |



74611

74612

Floating

- Glass reinforced PA
- With locking mechanism

| Code | Description | Length (cm) |
|-------|-------------------------------|-------------|
| 72740 | With lock | 20 |
| 72741 | | 25 |
| 72742 | Without lock & without handle | 20 |
| 72743 | | 25 |
| 72907 | Without lock | 25 |



Without locking & handle

With locking

Without locking

Anodised Aluminium

- Upgraded locking feature for ergonomic use of lock & unlock position

| Code | Description | Length (cm) |
|-------|--------------------------|-------------|
| 11856 | with lock | 20 |
| 11857 | with lock & speed handle | |
| 11860 | with lock | 25 |
| 11861 | with lock & speed handle | |



11857
11861

11856
11860

Combine with



Winch Handle Pocket, PVC

| Code | Dimensions (mm) | Colour |
|--------|-------------------|--------|
| 198208 | L.240, W.92, H.55 | Grey |
| 198209 | | White |

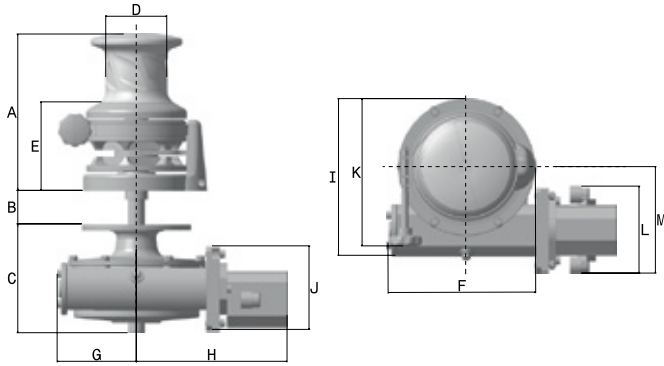


Winch Handle Holder, Side Mounted, Glass Reinforced Nylon

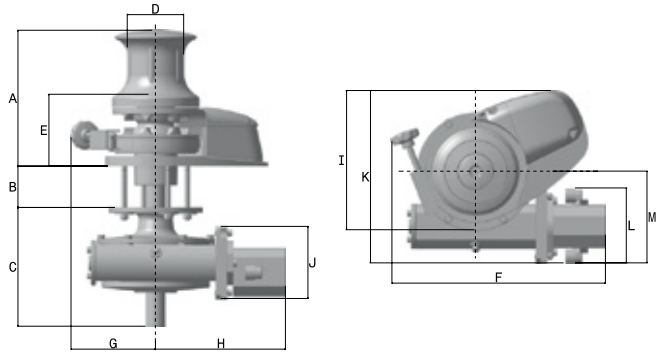
| Code | Dimensions (mm) | Colour |
|--------|------------------|--------|
| 198210 | L.60, W.19, H.45 | Grey |

HYDRAULIC MODELS

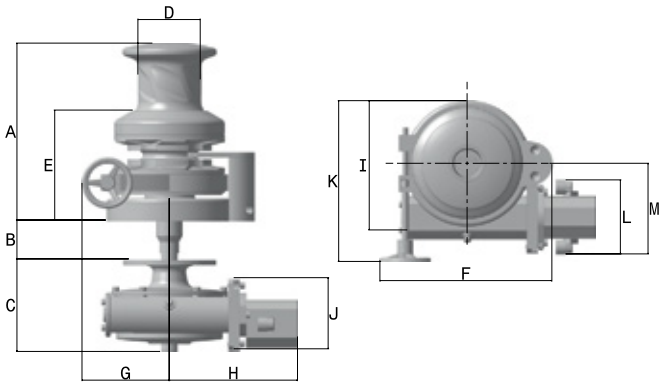
Dimensions in mm



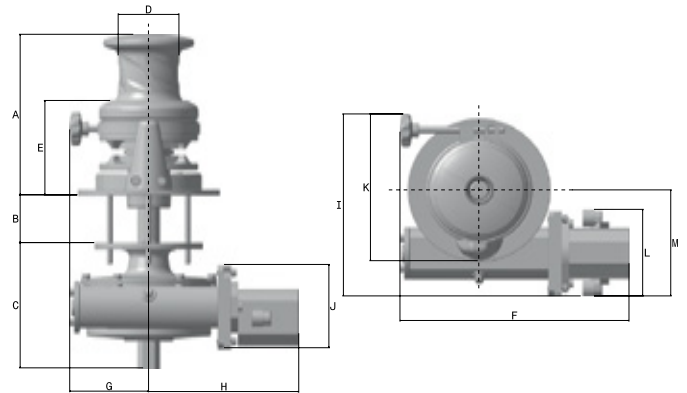
| SX3,5 | A | B | C | D | E | F | G | H | I | J | K | L | M |
|---------------|-----|----|-----|------|-----|-----|-----|-----|-----|-----|-----|-----|-----|
| Hydraulic 8cc | 281 | 60 | 195 | Ø109 | 159 | 265 | 142 | 271 | 281 | 150 | 264 | 156 | 191 |



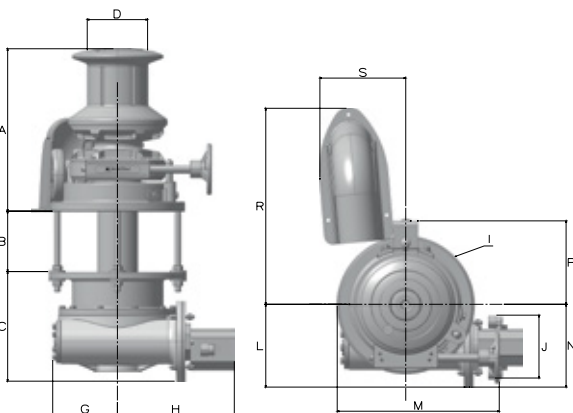
| X4 | A | B | C | D | E | F | G | H | I | J | K | L | M |
|---------------|-----|----|-----|------|-----|-----|-----|-----|-----|-----|-----|-----|-----|
| Hydraulic 8cc | 283 | 86 | 247 | Ø117 | 150 | 444 | 176 | 541 | 290 | 150 | 359 | 156 | 191 |



| SX5 | A | B | C | D | E | F | G | H | I | J | K | L | M |
|---------------|-----|----|-----|------|-----|-----|-----|-----|-----|-----|-----|-----|-----|
| Hydraulic 8cc | 373 | 82 | 195 | Ø131 | 232 | 362 | 184 | 271 | 272 | 150 | 339 | 156 | 191 |



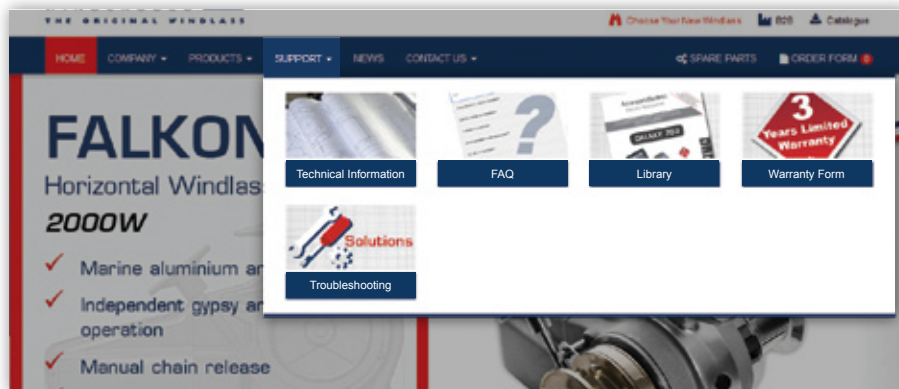
| SX4 | A | B | C | D | E | F | G | H | I | J | K | L | M |
|---------------|-----|----|-----|------|-----|-----|-----|-----|-----|-----|-----|-----|-----|
| Hydraulic 8cc | 289 | 86 | 226 | Ø109 | 170 | 412 | 142 | 541 | 328 | 150 | 264 | 156 | 191 |



| ERCOLE VERTICAL | A | B | C | D | G | H | I | J | L | M | N | P | R | S |
|------------------------|-----|-----|-----|-----|-----|-----|-----|-----|-----|-----|-----|-----|-------------------|-------------------|
| Hydraulic 11cc | 400 | 150 | 272 | 150 | 160 | 290 | 340 | 156 | 205 | 405 | 205 | 205 | min 490 - max 600 | min 200 - max 230 |

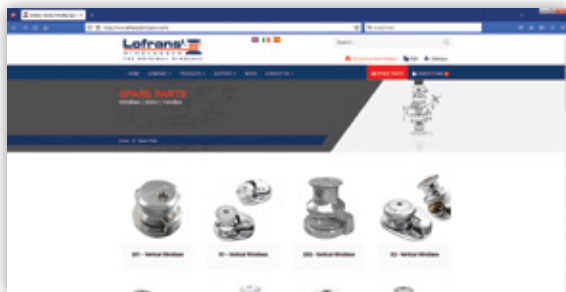
www.lofrans.com

SUPPORTIVE MATERIAL



SPARE PARTS ORDERING IN LESS THAN 2 MINUTES

1. Select the relevant product



2. Select the spare part you need



3. Fill in the order form & Submit

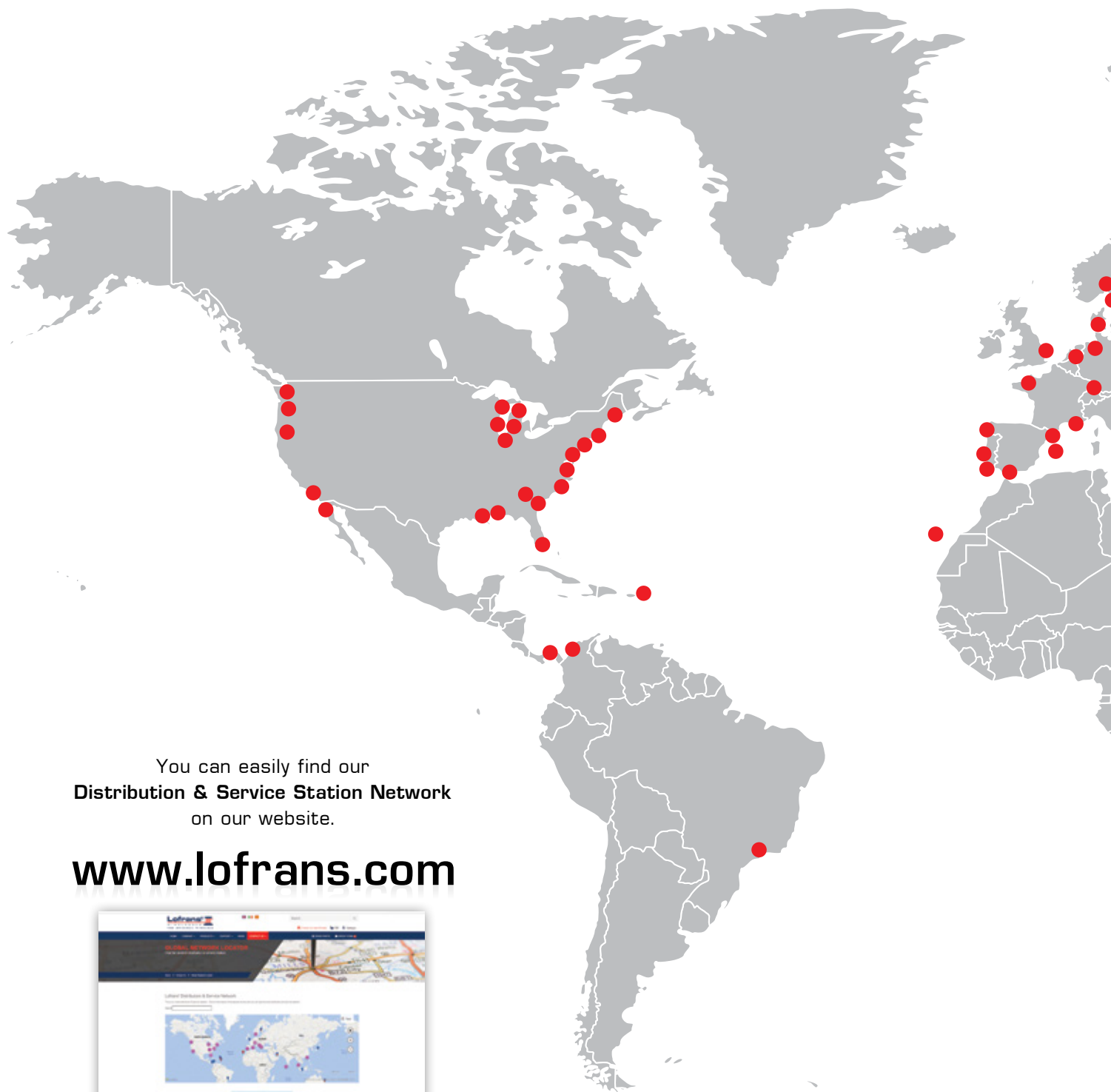


CONTACT US FORM & TICKETING PLATFORM



- ✓ Centralised communication management via ticketing platform
- ✓ Direct communication with our team of technical experts
- ✓ Effective management of all requests

GLOBAL

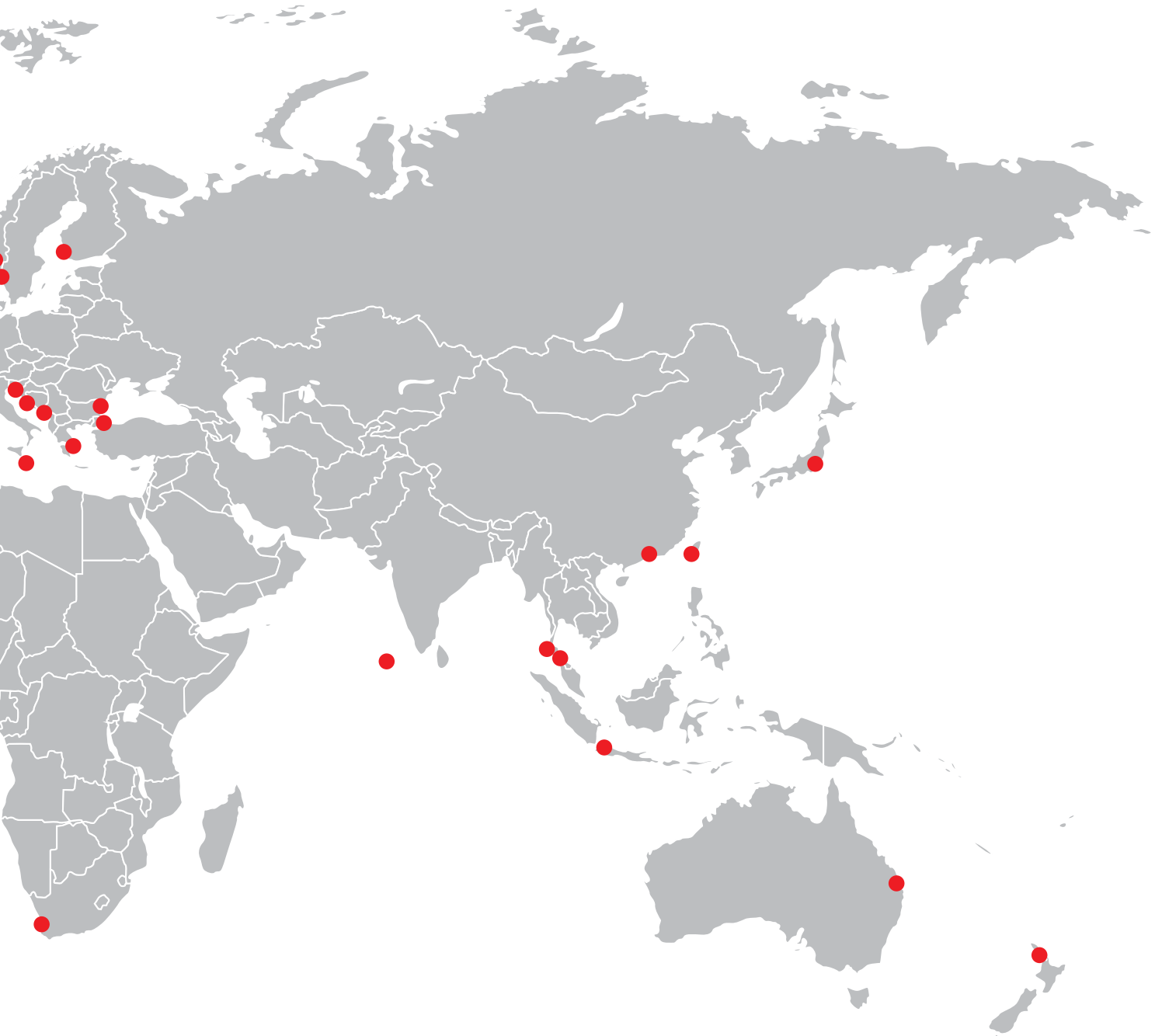


You can easily find our
Distribution & Service Station Network
on our website.

www.lofrans.com



NETWORK





Lofrans!
WINDLASSES
THE ORIGINAL WINDLASS

Via Philips 5, 20900 Monza (MI), Italy
Tel: +39 039 200 1973, Fax: +39 039 200 4299
E-mail: contact@lofrans.com

www.lofrans.com