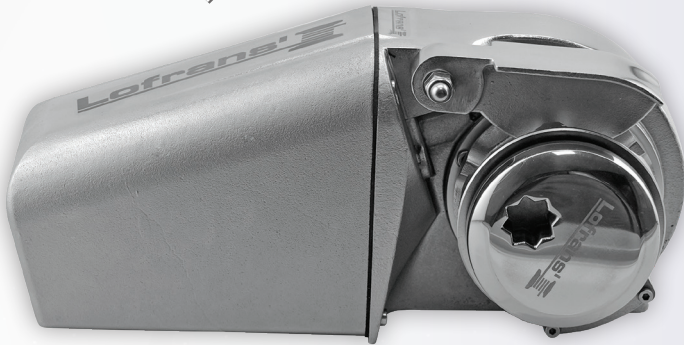


RAZZA - Horizontal Windlass

500W / 800W



Main features

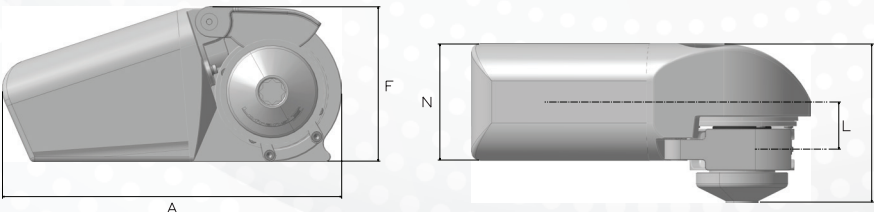
- ✓ Marine AISI 316L Stainless Steel construction
- ✓ Manual chain release
- ✓ Chain & rope management by the spring loaded finger
- ✓ IP67 motor cover
- ✓ Delivered with rocker switch
- ✓ Chain counter sensor & magnet preinstalled
- ✓ Ideal for boats up to 40 feet

Construction	AISI 316L Stainless Steel	
	500 W	800 W
Motor Size		
Power Supply (V)	12	12
Maximum Pull (kg)	630	900
Working Load (kg)	95	125
Amps at Working Load (A)	65	80
Line Speed at Working Load (m/min)	18	20
Max. Line Speed (m/min)	24	25
Net Weight (kg)	13.5	13.5

RAZZA	Code		Code	
	6mm, ISO 4565	10-12 mm, 3-strand	636738	636740
	8mm, ISO 4565 / DIN 766	12-14 mm, 3-strand	636739	636699
	7mm, ISO 4565	10-12-14 mm, 3-strand	600135	600136

For additional options on compatible gypsies, please check below.
If you are interested in an alternative configuration not listed above or any other special product, please contact our team.

Dimensions (mm)



Model	A	F	L	M	N
500 W	319	145	44	149	109
800 W					

Made in Italy