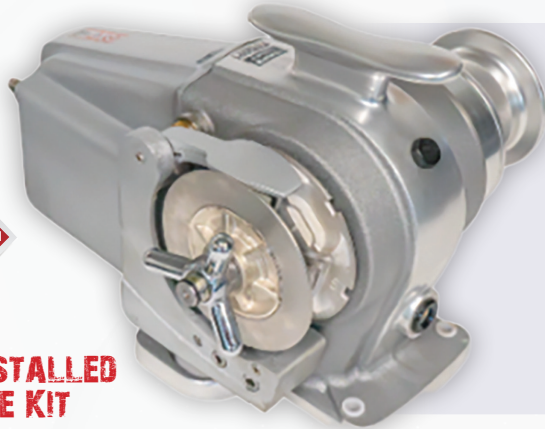


# TIGRES - Horizontal Windlass

with Rope Kit 1500 W



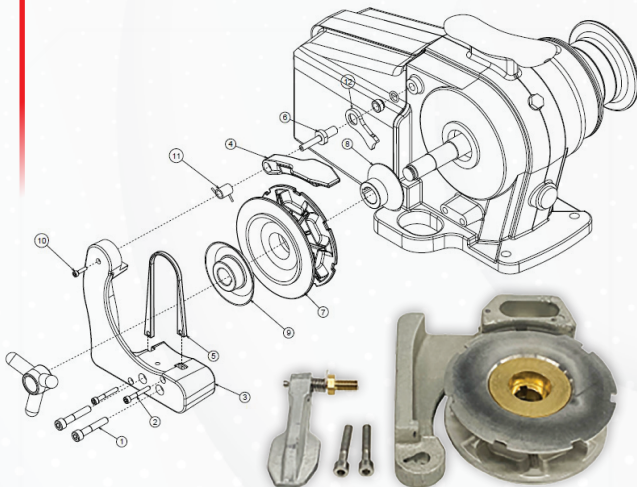
**PRE-INSTALLED  
ROPE KIT**



## Main Features

- ✓ Marine anodised aluminium body
- ✓ Independent gypsy and drum operation
- ✓ Manual chain release
- ✓ Manual override
- ✓ IP67 motor cover
- ✓ Pre-installed Rope Kit as standard

## ROPE KIT for TIGRES



**Includes:**

Nr.	Description	Nr.	Description
1	Hexagon Screw M8x45	7	Gypsy for Ø 8mm 5/16" or Ø 10mm 3/8" Chain
2	Hexagon Screw M6x40	8	Inner Cone Clutch
3	Body	9	Outer Cone Clutch
4	Finger	10	Hexagon Screw M4x16
5	Stripper	11	Spring
6	Finger Pin	12	Pawl

Available Rope Kit separately in order to upgrade your Tigres

Code	Chain	Rope
636566	8 mm ISO - 5/16" HT	14mm 3-strand or 8 plaited rope
636616	10 mm ISO - 3/8" HT	16mm 3-strand or 8 plaited rope

**Made in Italy**

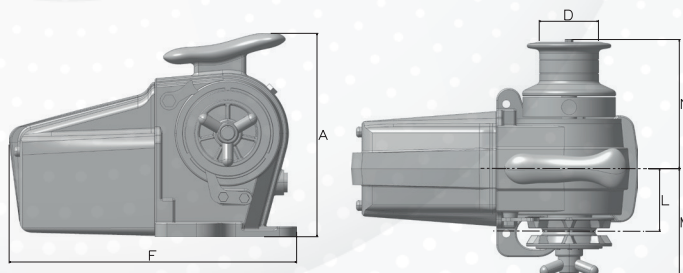


## Construction Material

Construction Material	Anodised Aluminium		
Motor Size	1500 W		
Power Supply (V)	12	24	48
Maximum Pull (kg)	1500	1590	1000
Working Load (kg)	190	200	120
Amps at Working Load (A)	160	90	33
Line Speed at Working Load (m/min)	14	16	20
Max. Line Speed (m/min)	33	33	20
Net Weight (kg)	28	28	28

		Code	Code	Code
<b>TIGRES</b>	8 mm, ISO 4565 / DIN 766	636766	636768	636691
	10 mm, ISO 4565	636767	636769	636692

## Dimensions (mm)



Model	A	D	F	L	M	N
1500 W	290	Ø85	415	90	155	185

## Advantages of 48V

- ✓ The increasing popularity of environmentally friendly boats with 48V electric propulsion required the development of windlasses running at the same voltage.
- ✓ Operates from 48V house bank batteries, an option which will provide space and cost savings for the boating community as smaller wires will be needed for the installation.